

For ultimate thermoforming performance, the choice is clear.



The Anatomy of the Perfect Thermoforming Chain.

Tsubaki doesn't just manufacture the world's premier power transmission products. We engineer solutions for every conceivable application. We know chain. And we understand that it's often the small details that maximize uptime and productivity. Whether off-the-shelf or made-to-order, your Tsubaki thermoformer chain is a state-of-the-art powerhouse. After all, it's a Tsubaki.



Maximum sticker sharpness:

Sticker tip angles optimized to easily penetrate most plastic films. Additional tip sharpening is available for extra thick materials.



Precision Automated Assembly:

Tsubaki's assembly process controls ensure superior alignment of chain components for consistent operating performance.



Customized Configurations:

Saddles, stickers and extended pins are spaced to meet your application.

Hardened carbon steel:

Durable heat treated components resist the wear and tear of strenuous impact, high heat and continuous use.



Precision Length Control:

Prevent web wrinkling and machine binding. Matching and tagging chain pairs can ensure ideal alignment for smoother conveyance.

Lambda[®]

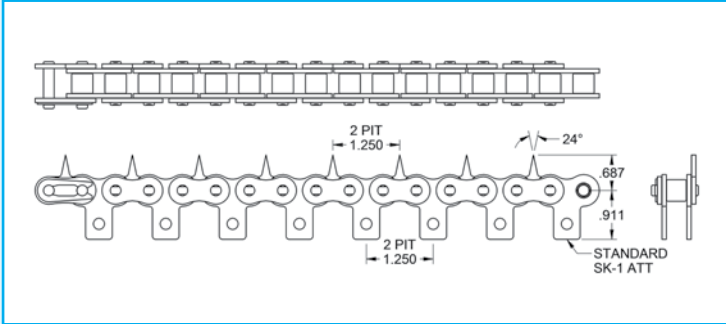
Optional Self-lubricating Roller Chain:

Long term operation without additional lubrication with the original and longest-lasting lube-free roller chain.

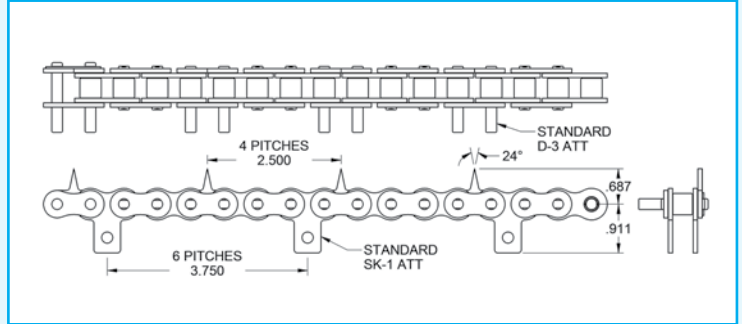
Solutions right off the shelf.

With nearly 100 years of experience under our belts, Tsubaki understands what works. We regularly stock some of the industry's most popular configurations ready for immediate shipment. Here are some of our best sellers with the Tsubaki item number for easy ordering:

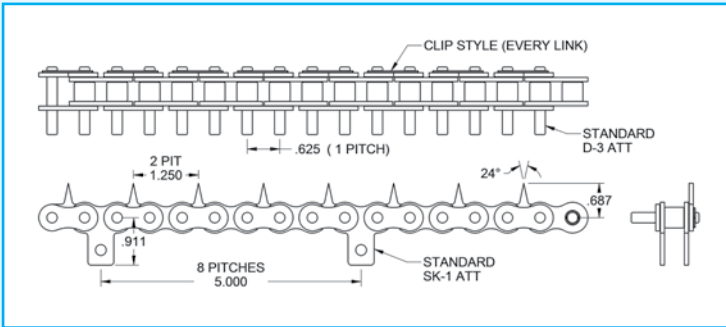
50 STK 2L SK1 2L available in Lambda 50 LSTK 2L SK1 2L



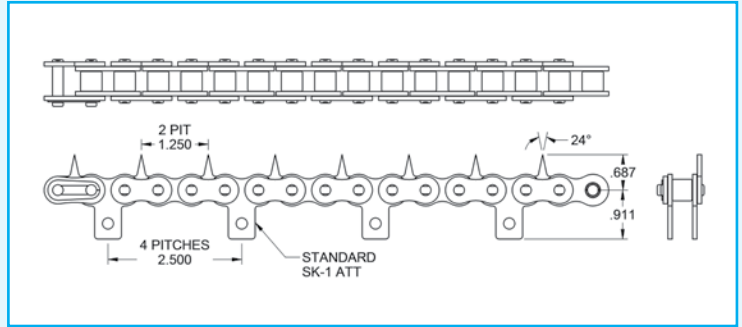
50 STKD3 4L SK1 6L



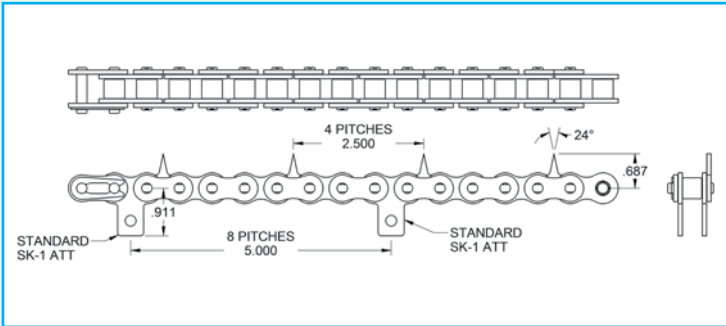
50 STKD3 2L SK1 8L



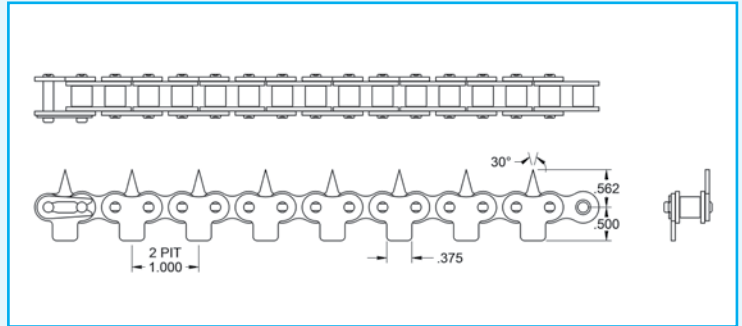
50 STK 2L SK1 4L



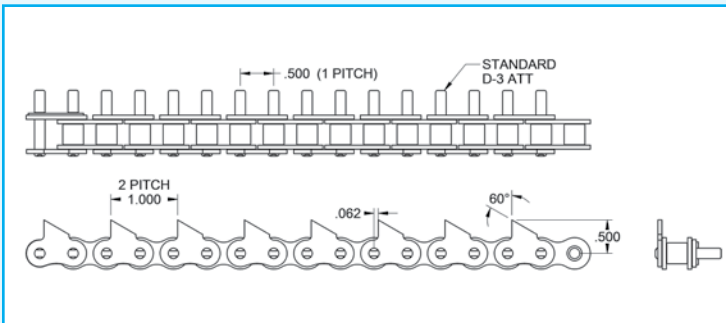
50 STK 4L SK1 8L



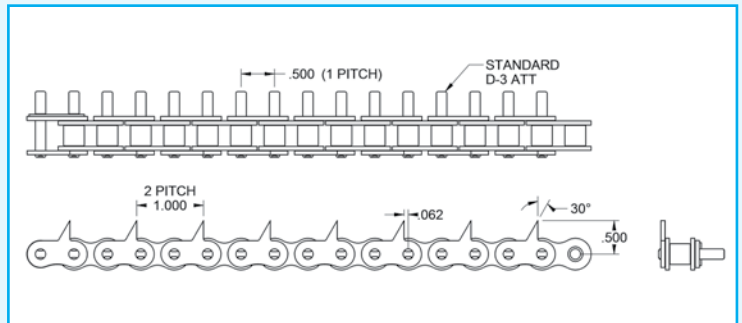
40 STK SAO 2L



40 STKD3 2L LH or RH

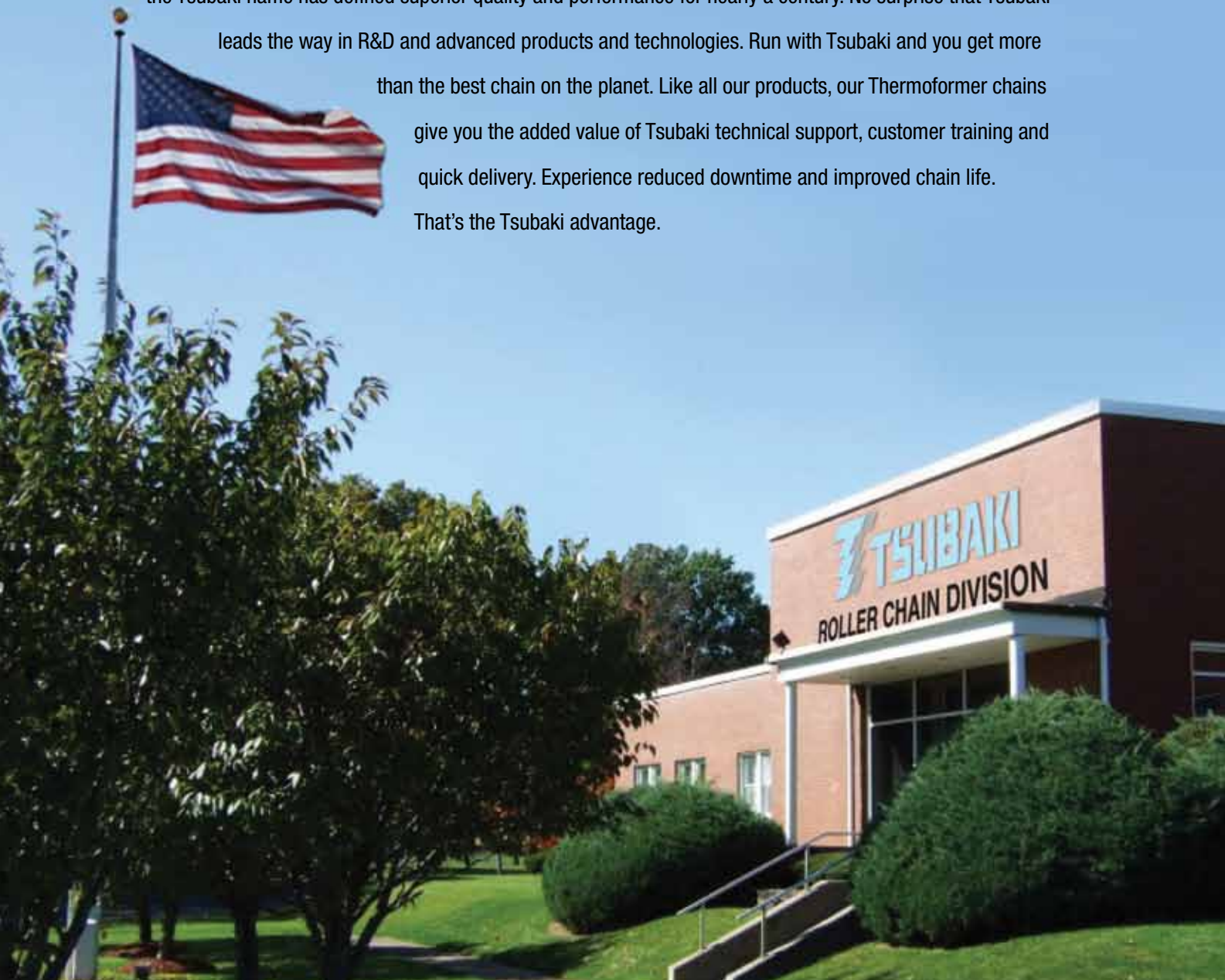


40 STKD3 2L 01 LH or RH



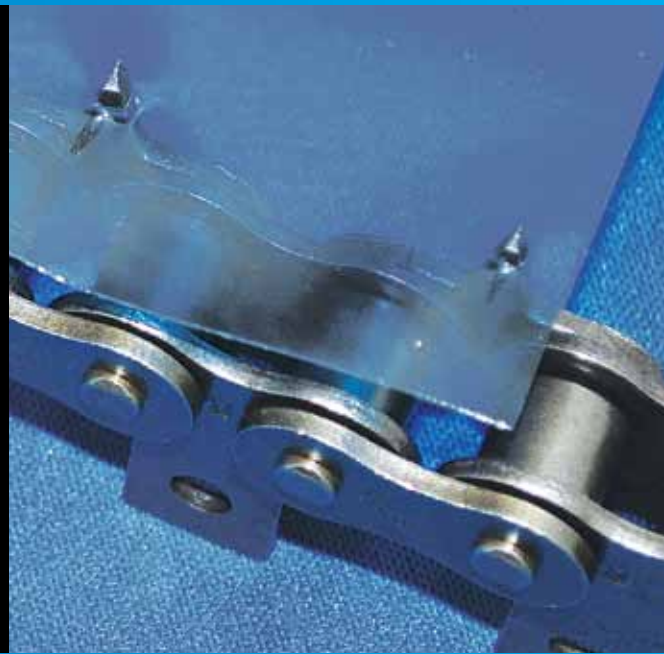
YOU'VE GOT A LOT RIDING ON YOUR OPERATION. MAKE SURE IT'S RIDING ON THE WORLD'S MOST RELIABLE POWER TRANSMISSION PRODUCTS.

Thermoforming is unique, and no one understands that better than Tsubaki. We've been designing and manufacturing Thermoformer chain at our Holyoke, Massachusetts plant for more than 40 years. Don't risk needless downtime grappling with inferior products. Invest well. Tsubaki ingenuity and dependability can get you running smoothly and keep you running longer. Around the globe and across a world of applications, the Tsubaki name has defined superior quality and performance for nearly a century. No surprise that Tsubaki leads the way in R&D and advanced products and technologies. Run with Tsubaki and you get more than the best chain on the planet. Like all our products, our Thermoformer chains give you the added value of Tsubaki technical support, customer training and quick delivery. Experience reduced downtime and improved chain life. That's the Tsubaki advantage.



Get together with Tsubaki and we'll get you going with the right chain.

Your thermoformer chain and your application. Are they truly made for each other? They can be. Get them working together for optimal performance and productivity. Tsubaki engineering support can discover how to get more life from your chain. Off the shelf or made to order we'll find your perfect match. We'll even customize to meet your exact needs — from special configurations or attachments to unique sticker designs. We understand your industry. Get together with Tsubaki and ensure you get the perfect fit.



Get the world's leading power transmission products and minds working for you.

Not sure what chain you should be using? That's where your Tsubaki representative comes in. From roller chains and sprockets, to power transmission and cable carrier systems. We can match your current configuration or provide diagnostic support to determine your best options.



**Corporate Headquarters
U.S. Tsubaki**
301 E. Marquardt Drive
Wheeling, IL 60090
Tel: (847) 459-9500
Fax: (847) 459-9515
www.ustsubaki.com



Roller Chain Division
821 Main Street
Holyoke, MA 01040



Engineering Chain Division
1010 Edgewater Drive
Sandusky, OH 44870
Tel: (419) 626-4560
Fax: (419) 626-5194



Sprocket Manufacturing
1630 Drew Road
Mississauga, Ontario
L5S 1J6 Canada
Tel: (905) 676-0400
Fax: (905) 676-0904



KabelSchlepp Division
7100 W. Marcia Road
Milwaukee, WI 53223
Tel: (414) 354-1994
Fax: (414) 354-1900

