

WORKHORSE[®]
Premium Elevator Series

WORKHORSE® Series

Engineered to be “The Workhorse” of the Industrial Elevator Segment. Utilizes premium steels throughout, combined with proprietary and precisely controlled heat treatments, to ensure market leading reliability.



TYPICAL APPLICATIONS

Bucket Elevators

- Centrifugal Systems
- Continuous Discharge

PINS

- Alloy or premium grade carbon steel.
- Heat treated for superior strength and toughness.
 - Core – Through hardened for superior impact resistance.
 - Surface – Case or Induction hardened for extended wear resistance.
- Precision manufactured to maintain high interference fit with sidebars.
 - Prevents pin rotation and subsequent sidebar wear.

BUSHINGS

- Alloy or premium grade carbon steel.
- Heat treated for superior strength.
 - Core – Through hardened for toughness/impact resistance.
 - Surface – Case hardened for ultimate/extended wear resistance.
- Precision machined to maintain smooth bearing surfaces and high interference fit with sidebars.
 - Favorable residual stresses resist fatigue and allow for extended life.

SIDEBARS

- Alloy or premium grade carbon steel.
- Through hardened for superior strength, toughness and fatigue resistance.
- Proprietary manufacturing processes ensure consistent hole quality and precise pitch control.
 - Favorable residual stresses resist fatigue and allow for extended life.

ROLLERS (4000 Series)

- Alloy or premium grade carbon steel.
- Through hardened for superior strength, toughness and the ability to withstand high shock loads.

COMMON INDUSTRIES



INDUSTRIAL
MINERALS



MINING



CEMENT



GRAIN



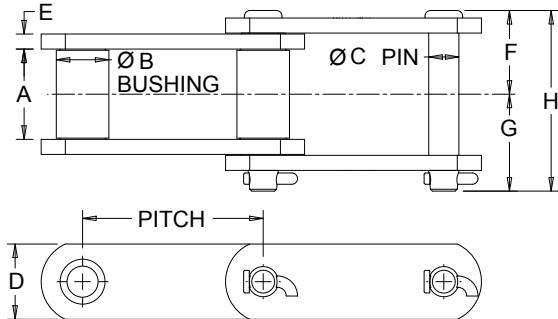
FERTILIZER



SUGAR
PROCESSING

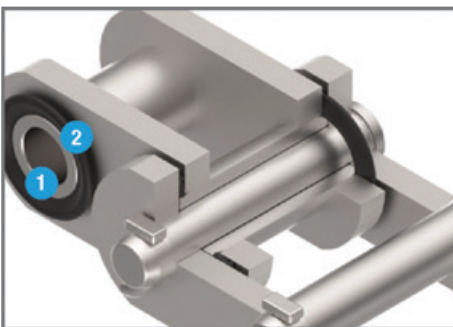
Don't see what you need? Call us at 1-800-323-7790 and we will make it!

WORKHORSE® Pony / 5000 Series



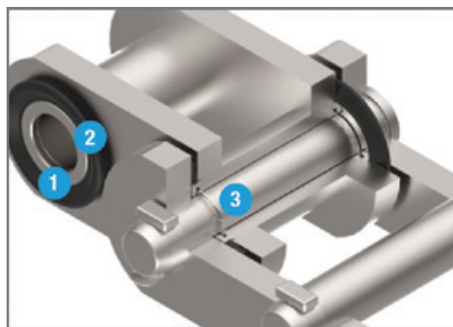
	Chain Number	Pitch	Attachment Detail	Dimensions								AUS (lbs.)	Max Working Load (lbs.)
				Inside Width	Bushing Diameter	Pin Diameter	Sidebar Height	Sidebar Thick	Pin Head to CL	Pin End to CL	Overall Width		
				A	B	C	D	E	F	G	H		
PONY SERIES	102B	4.000	See page 7	2.13	1.00	0.63	1.50	0.38	2.00	2.28	4.28	40,000	6,300
	111	4.760	See page 9	2.63	1.44	0.75	2.00	0.38	2.28	2.66	4.94	50,000	8,850
	110	6.000	See page 11	2.13	1.25	0.63	1.50	0.38	2.00	2.28	4.28	40,000	6,300
5000 SERIES	833	6.000	See page 14	2.63	1.44	0.75	2.00	0.38	2.34	2.66	5.00	74,500	8,850
	856	6.000	See page 16	3.00	1.75	1.00	2.50	0.50	2.78	3.22	6.00	145,000	14,000
	956	6.000	See page 18	3.00	1.75	1.00	3.00	0.50	2.78	3.22	6.00	160,000	14,000
	857	6.000	See page 19	3.00	1.75	1.00	3.25	0.50	2.78	3.22	6.00	174,000	14,000
	958	6.000	See page 20	3.00	1.99	1.19	3.38	0.56	2.84	3.28	6.13	206,000	17,000
	859	6.000	See page 21	3.75	2.38	1.25	4.00	0.63	3.41	3.84	7.25	264,000	21,800
	864	7.000	See page 22	3.75	2.38	1.25	4.00	0.63	3.41	3.84	7.25	275,000	22,000
	984	7.000	See page 23	3.75	2.50	1.38	4.00	0.63	3.41	3.84	7.25	285,000	24,000

COMMON UPGRADE OPTIONS:



SJ2™
Sealed Technology

1. Extended Bushing Barrier Seal
2. Polymeric Gasket Seal



SJ3™
Sealed Technology

1. Extended Bushing Barrier Seal
2. Polymeric Gasket Seal
3. Patented Stainless Steel Labyrinth Seal

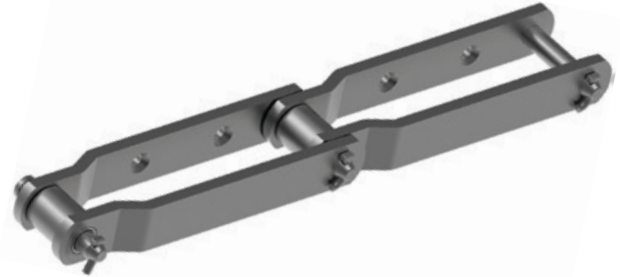
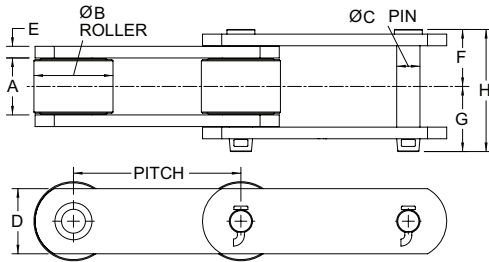


TITAN™
Extended Wear Technology **XL**

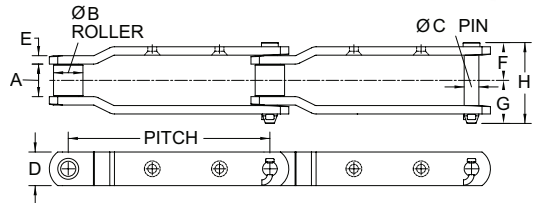
WORKHORSE® 4000 Series



Straight Sidebar

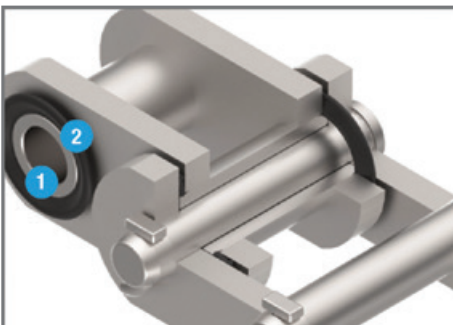


Offset Sidebar



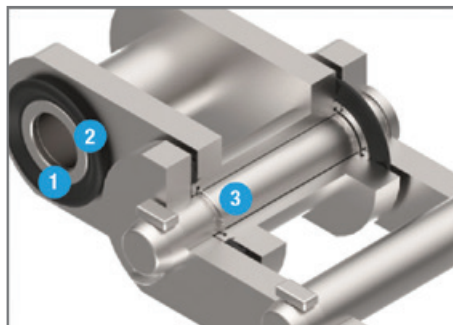
Chain Number	Pitch	Sidebar Style	Attachment Detail	Dimensions									AUS (lbs.)	Max Working Load (lbs.)
				Inside Width	Roller Diameter	Pin Diameter	Sidebar Height	Sidebar Thick	Pin Head to CL	Pin End to CL	Overall Width			
				A	B	C	D	E	F	G	H			
4004	9.000	Straight	See page 25	2.63	3.00	1.00	2.50	0.50	2.59	3.03	5.63	121,000	12,700	
4009	9.000	Straight	See page 26	2.19	3.00	0.88	2.50	0.38	2.06	2.44	4.50	143,000	9,000	
4035	9.000	Straight	See page 27	3.16	3.50	1.13	3.00	0.50	2.86	3.30	6.16	131,700	16,500	
4037	9.000	Straight	See page 28	3.25	4.50	1.50	4.00	0.63	3.28	3.72	7.00	340,000	23,600	
4065	9.000	Straight	See page 29	3.06	4.25	1.25	3.50	0.63	3.06	3.50	6.56	226,000	18,900	
4251	12.000	Offset	See page 30	1.94	1.75	0.88	2.00	0.50	2.25	2.56	4.81	61,200	8,750	
4265	12.000	Straight	See page 31	2.25	3.00	0.88	2.50	0.38	2.16	2.47	4.62	75,500	9,200	

COMMON UPGRADE OPTIONS:



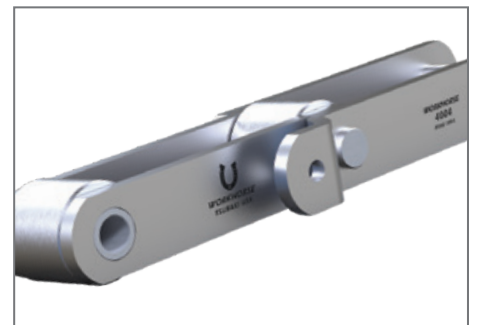
SJ2™
Sealed Technology

1. Extended Bushing Barrier Seal
2. Polymeric Gasket Seal

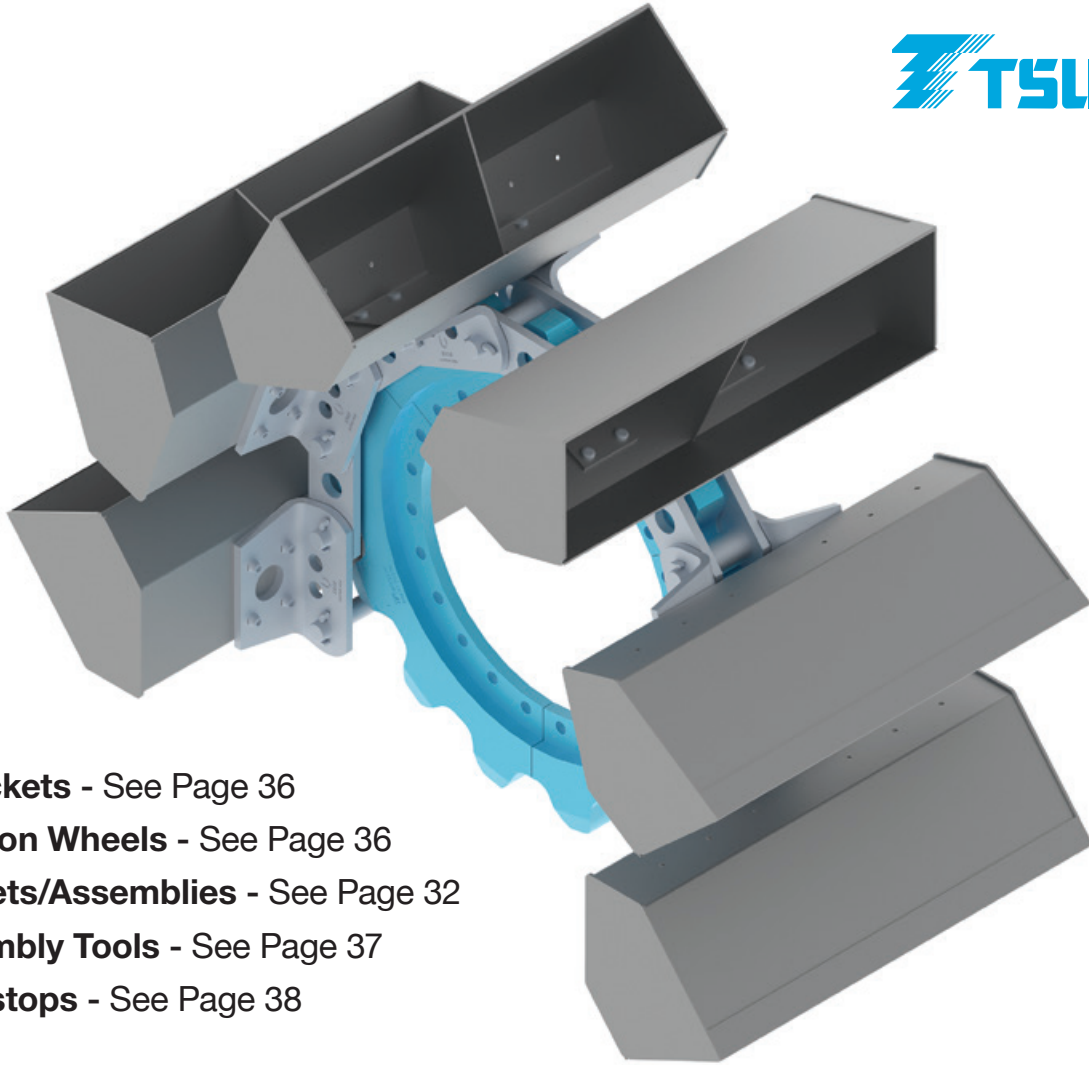


SJ3™
Sealed Technology

1. Extended Bushing Barrier Seal
2. Polymeric Gasket Seal
3. Patented Stainless Steel Labyrinth Seal



TITAN™
Extended Wear Technology **XL**



Sprockets - See Page 36

Traction Wheels - See Page 36

Buckets/Assemblies - See Page 32

Assembly Tools - See Page 37

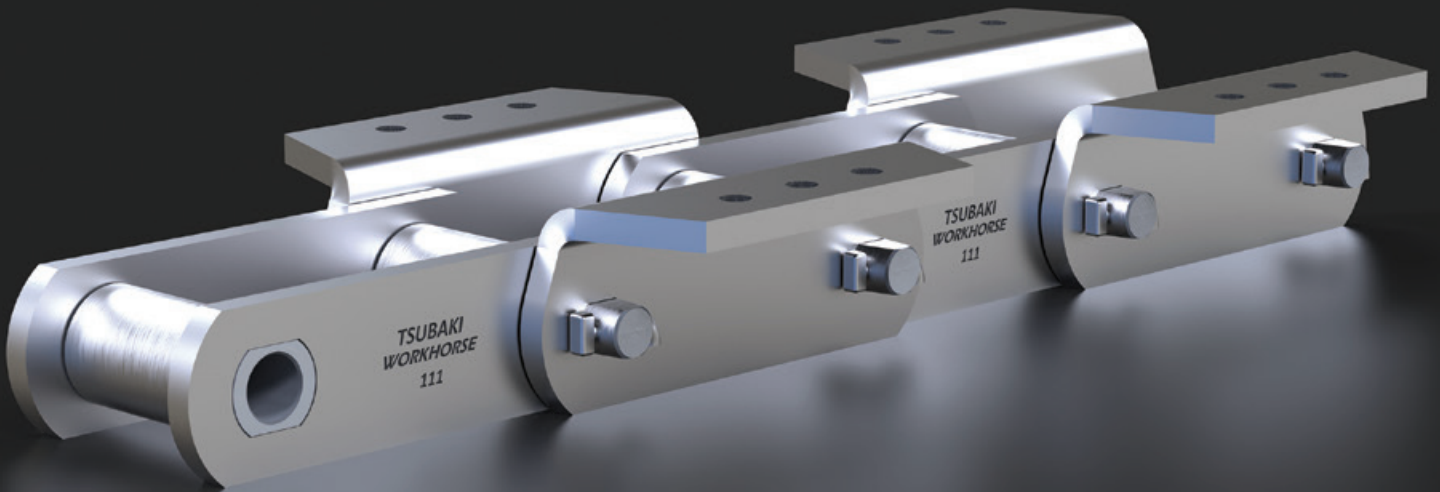
Backstops - See Page 38

Improve your operational reliability and productivity with Tsubaki Field Services.

Let our industry-leading team build the ideal chain for your project. We will assess and optimize the chain's performance as your needs change, and proactively assist with its performance throughout its lifecycle.

- Installation Support
- Performance Tracking
- Wear Analysis/Field Inspections
- System Optimization
- Maintenance/Product Training





WORKHORSE® *Pony*

102B CHAIN

4.000" PITCH
WORKHORSE® PONY SERIES

Average Ultimate Strength: 40,000 lbs

Max Working Load: 6,300 lbs

Pitches Per Foot: 3.00

Upgrades Available:



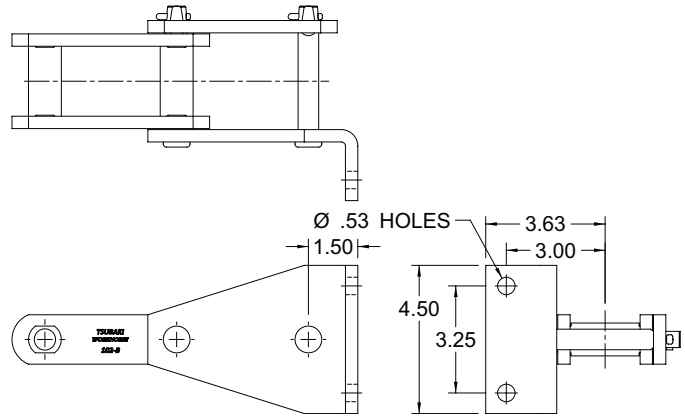
102B CHAIN - PLAIN		Weight (lbs/ft): 6.90
PLAIN CHAIN		
PIN TYPE	Cottered	
TSUBAKI PART #	26742	
TSUBAKI TITAN XL PART #	26701	

102B CHAIN - A1/A2 ATTACHMENTS						Weight 2L (lbs/ft): 8.00
ATTACHMENT SPACING	2L	3L	4L	5L	>5L	
PIN TYPE	Cottered					
TSUBAKI PART #	26743	26674	26744	26675	Call Us	
TSUBAKI TITAN XL PART #	26702	26703	26704	26705	Call Us	

Note:
An offset pitch will be utilized on all odd attachment spacings.

102B CHAIN - G19 ATTACHMENTS

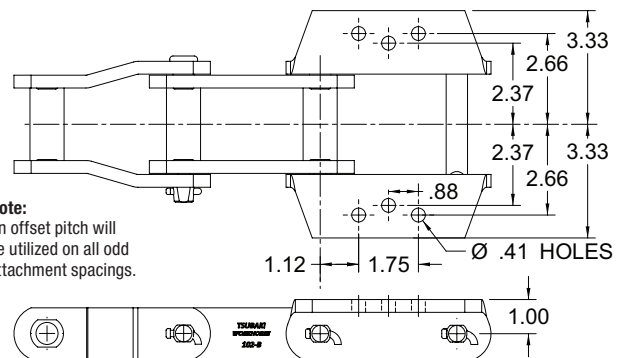
Weight 2L (lbs/ft): **8.30**



ATTACHMENT SPACING	2L		4L	
	Cottered	Riveted	Cottered	Riveted
TSUBAKI PART #	26956	26958	26959	26961
TSUBAKI TITAN XL PART #	26957	-	26960	-

102B CHAIN - K1/K2 ATTACHMENTS

Weight 2L(lbs/ft): **9.00**



Note:
An offset pitch will be utilized on all odd attachment spacings.

ATTACHMENT SPACING	2L	3L	4L	5L	>5L
	Cottered	Cottered	Cottered	Cottered	Cottered
TSUBAKI PART #	26745	26746	26747	26748	Call Us
TSUBAKI TITAN XL PART #	26706	26707	26708	26709	Call Us

111 CHAIN

4.760" PITCH
WORKHORSE® PONY SERIES

Average Ultimate Strength: 50,000 lbs

Max Working Load: 8,850 lbs

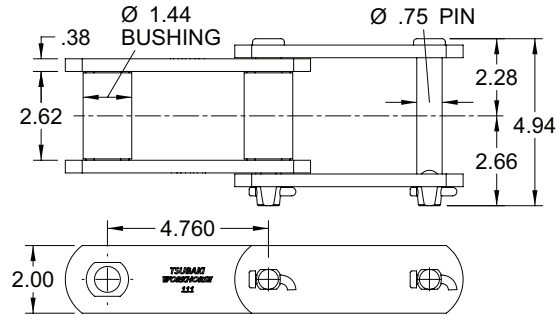
Pitches Per Foot: 2.52

Upgrades Available:



111 CHAIN - PLAIN

Weight (lbs / ft): **10.30**



PLAIN CHAIN

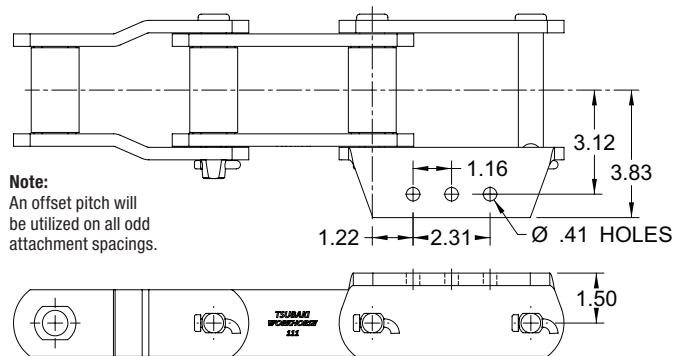
PIN TYPE **Cottered**

TSUBAKI PART # 26676

TSUBAKI TITAN XL PART # 26749

111 CHAIN - A1/A2 ATTACHMENTS

Weight 2L (lbs / ft): **12.40**

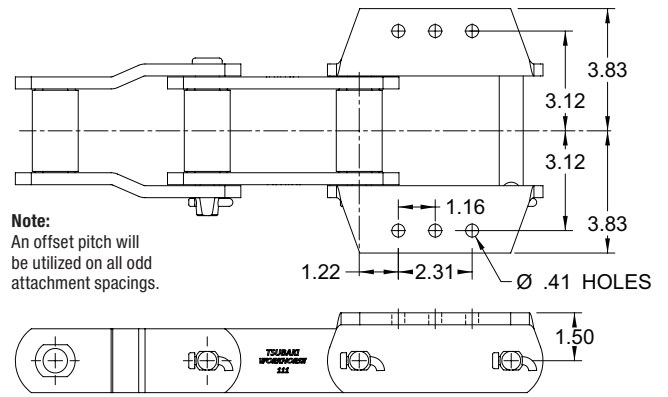


ATTACHMENT SPACING	2L	3L	4L	5L	>5L
--------------------	----	----	----	----	-----

PIN TYPE	Cottered	Cottered	Cottered	Cottered	Cottered
----------	----------	----------	----------	----------	----------

TSUBAKI PART #	26677	26678	26679	26680	Call Us
----------------	-------	-------	-------	-------	---------

TSUBAKI TITAN XL PART #	26750	26751	26752	26753	Call Us
-------------------------	-------	-------	-------	-------	---------



ATTACHMENT SPACING	2L	3L	4L	5L	>5L
PIN TYPE	Cottered	Cottered	Cottered	Cottered	Cottered
TSUBAKI PART #	26681	26682	26683	26684	Call Us
TSUBAKI TITAN XL PART #	26754	26755	26756	26757	Call Us

110 CHAIN

6.000" PITCH
WORKHORSE® PONY SERIES

Average Ultimate Strength: 40,000 lbs

Max Working Load: 6,300 lbs

Pitches Per Foot: 2.00

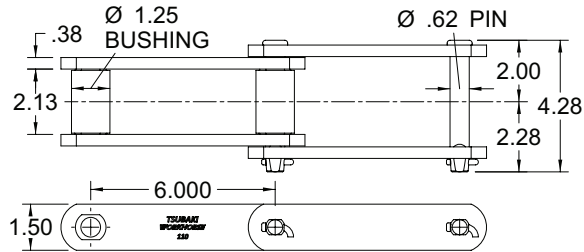
Upgrades Available:



110 CHAIN - PLAIN

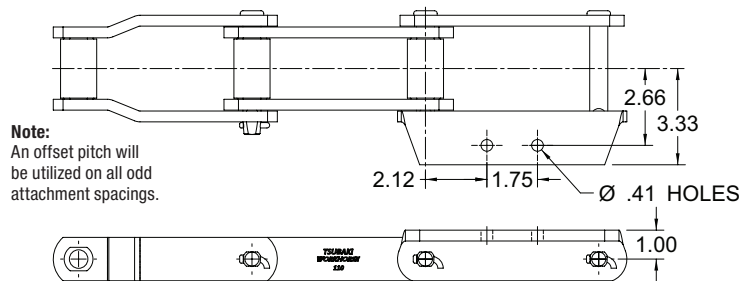
Weight (lbs/ft): **6.30**

PLAIN CHAIN	
PIN TYPE	Cottered
TSUBAKI PART #	26714
TSUBAKI TITAN XL PART #	26725

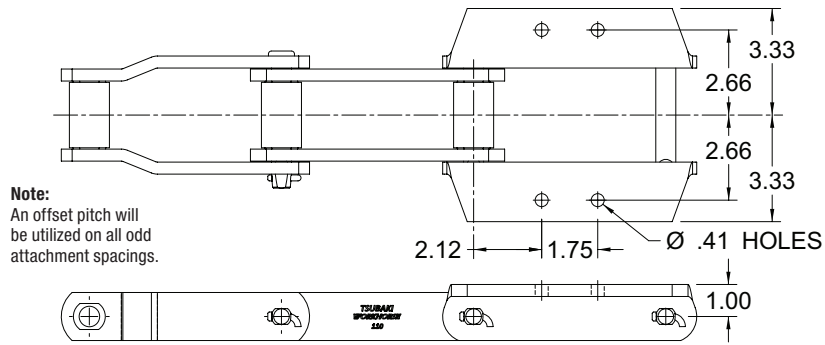


110 CHAIN - A2 ATTACHMENTS

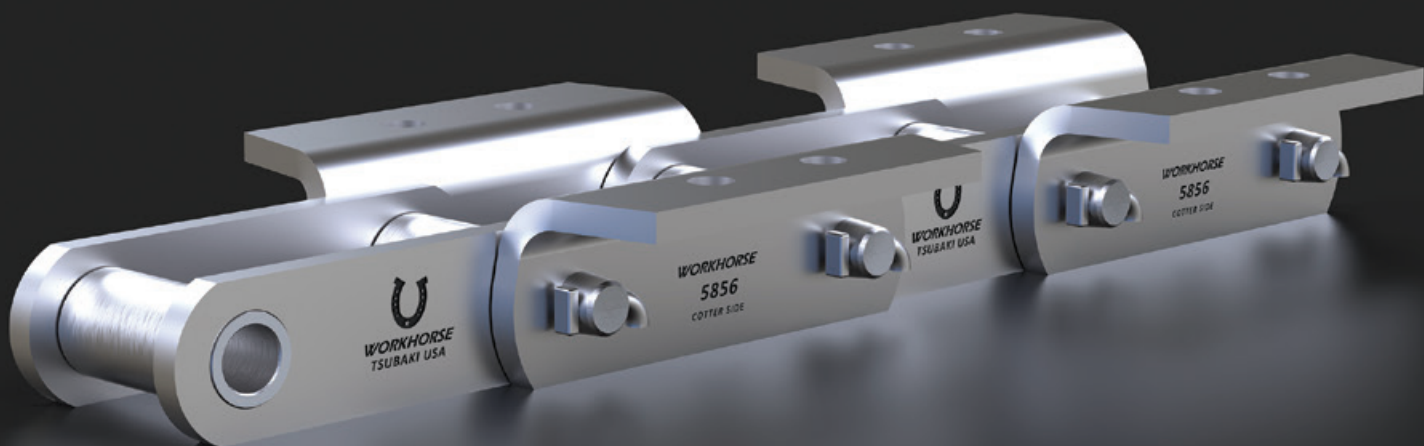
Weight 2L (lbs/ft): **7.50**



ATTACHMENT SPACING	2L	3L	4L	5L	>5L
PIN TYPE	Cottered	Cottered	Cottered	Cottered	Cottered
TSUBAKI PART #	26715	26716	26717	26718	Call Us
TSUBAKI TITAN XL PART #	26726	26727	26728	26729	Call Us



ATTACHMENT SPACING	2L	3L	4L	5L	>5L
PIN TYPE	Cottered	Cottered	Cottered	Cottered	Cottered
TSUBAKI PART #	26719	26720	26721	26722	Call Us
TSUBAKI TITAN XL PART #	26730	26731	26732	26733	Call Us



WORKHORSE® 5000

833 CHAIN

6.000" PITCH
WORKHORSE® 5800 SERIES

Average Ultimate Strength: 74,500 lbs
Max Working Load: 8,850 lbs
Pitches Per Foot: 2.00

Upgrades Available:

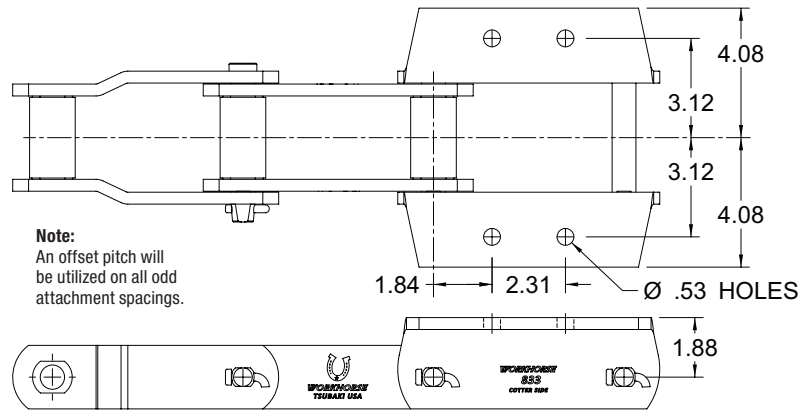


833 CHAIN - PLAIN		Weight (lbs/ft): 9.50
PLAIN CHAIN		
PIN TYPE	Cottered	
TSUBAKI PART #	26963	
TSUBAKI TITAN XL™ PART #	26964	

833 CHAIN - A24 ATTACHMENTS				Weight 2L (lbs/ft): 11.50
ATTACHMENT SPACING	2L	3L	OTHER	
PIN TYPE	Cottered	Cottered	Cottered	
TSUBAKI PART #	26965	26967	Call Us	
TSUBAKI TITAN XL™ PART #	26966	26968	Call Us	

Note:
An offset pitch will be utilized on all odd attachment spacings.

ATTACHMENT SPACING	2L	3L	OTHER
PIN TYPE	Cottered	Cottered	Cottered
TSUBAKI PART #	23998	26970	Call Us
TSUBAKI TITAN XL™ PART #	26969	26971	Call Us



856 CHAIN

6.000" PITCH
WORKHORSE® 5800 SERIES

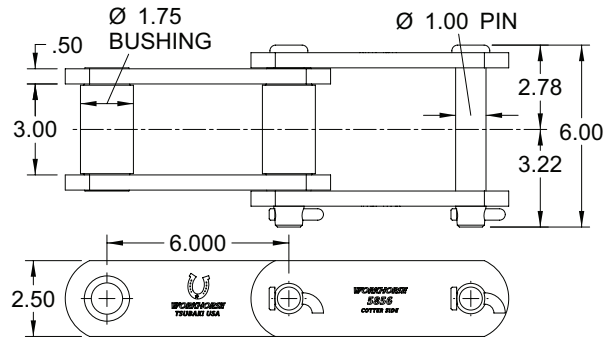
Average Ultimate Strength: 145,000 lbs
Max Working Load: 14,000 lbs
Pitches Per Foot: 2.00

Upgrades Available:



856 CHAIN - PLAIN

Weight (lbs/ft): 16.00



PLAIN CHAIN

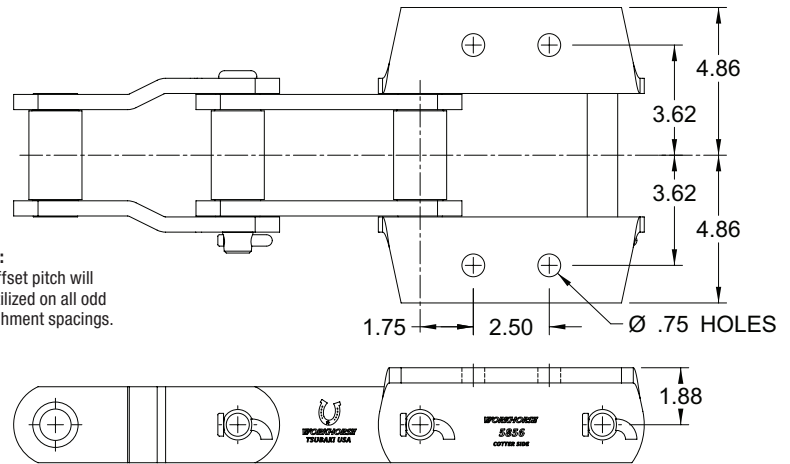
PIN TYPE: Cottered

TSUBAKI PART #: 27016

TSUBAKI TITAN XL™ PART #: 27017

856 CHAIN - K24 ATTACHMENTS

Weight 2L (lbs/ft): 22.00

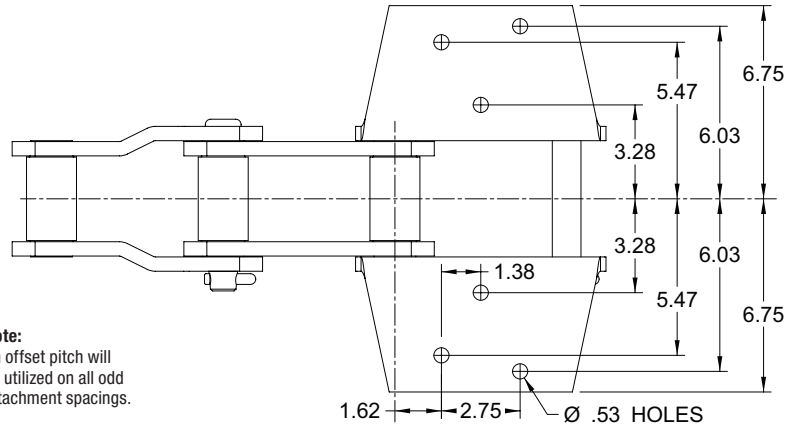


Note:
An offset pitch will be utilized on all odd attachment spacings.

ATTACHMENT SPACING	2L	3L	OTHER
PIN TYPE	Cottered	Cottered	Cottered
TSUBAKI PART #	26876	27021	Call Us
TSUBAKI TITAN XL™ PART #	27020	27022	Call Us

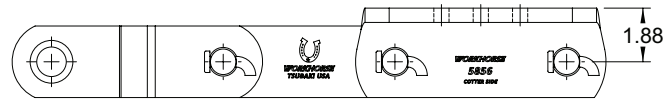
856 CHAIN - K3 ATTACHMENTS

Weight 2L (lbs/ft): **20.00**



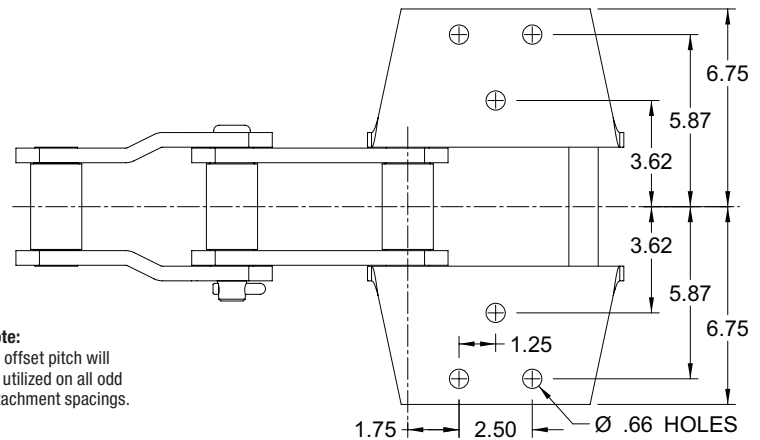
Note:
An offset pitch will be utilized on all odd attachment spacings.

ATTACHMENT SPACING	2L	3L	OTHER
PIN TYPE	Cottered	Cottered	Cottered
TSUBAKI PART #	26878	26879	Call Us
TSUBAKI TITAN XL™ PART #	27018	27019	Call Us



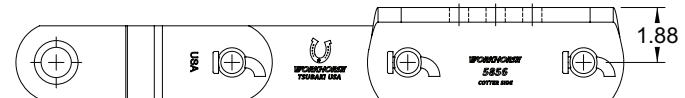
856 CHAIN - K35 ATTACHMENTS

Weight 2L (lbs/ft): **22.50**



Note:
An offset pitch will be utilized on all odd attachment spacings.

ATTACHMENT SPACING	2L	3L	OTHER
PIN TYPE	Cottered	Cottered	Cottered
TSUBAKI PART #	26877	27024	Call Us
TSUBAKI TITAN XL™ PART #	27023	27025	Call Us



956 CHAIN

6.000" PITCH
WORKHORSE® 5900 SERIES

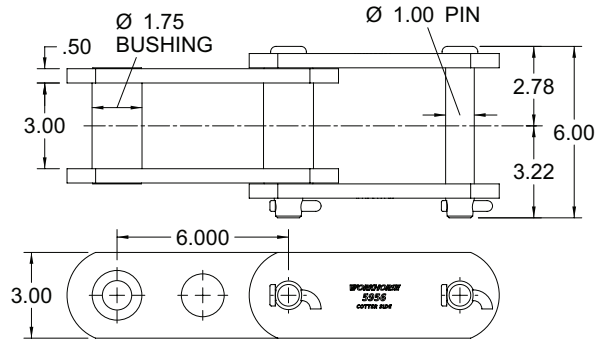
Average Ultimate Strength: 160,000 lbs
Max Working Load: 14,000 lbs
Pitches Per Foot: 2.00

Upgrades Available:



956 CHAIN - PLAIN

Weight (lbs/ft): 18.75



PLAIN CHAIN

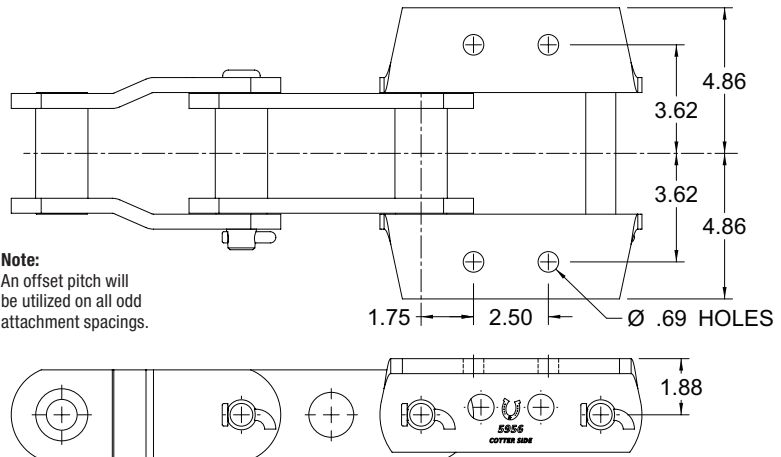
PIN TYPE: Cottered

TSUBAKI PART #: 27041

TSUBAKI TITAN XL™ PART #: 27042

956 CHAIN - K24 ATTACHMENTS

Weight 2L (lbs/ft): 48.00



Note:
An offset pitch will be utilized on all odd attachment spacings.

ATTACHMENT SPACING: 2L, 3L, OTHER

PIN TYPE: Cottered, Cottered, Cottered

TSUBAKI PART #: 26883, 27044, Call Us

TSUBAKI TITAN XL™ PART #: 27043, 27045, Call Us

857 CHAIN

6.000" PITCH
WORKHORSE® 5800 SERIES

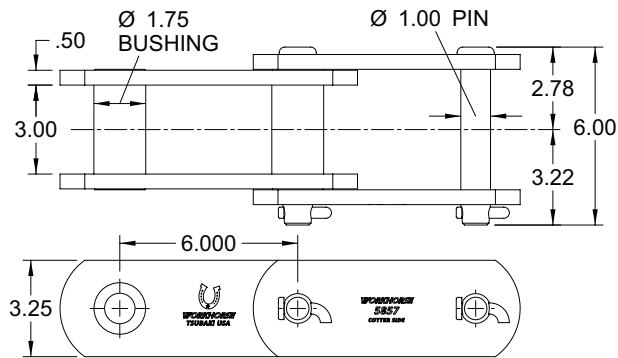
Average Ultimate Strength: 174,000 lbs
Max Working Load: 14,000 lbs
Pitches Per Foot: 2.00

Upgrades Available:



857 CHAIN - PLAIN

Weight (lbs/ft): **21.25**

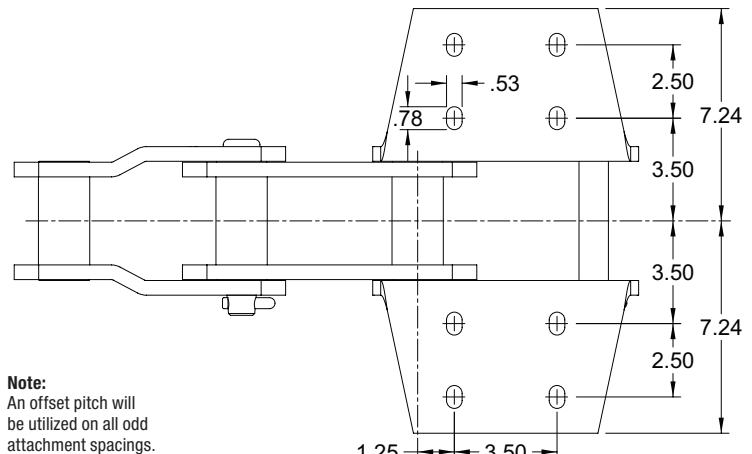


PLAIN CHAIN

PIN TYPE	Cottered
TSUBAKI PART #	27026
TSUBAKI TITAN XL™ PART #	27027

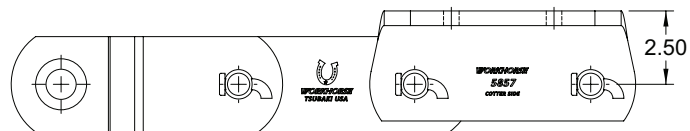
857 CHAIN - K44 ATTACHMENTS

Weight 2L (lbs/ft): **31.00**



Note:
An offset pitch will be utilized on all odd attachment spacings.

ATTACHMENT SPACING	2L	3L	OTHER
PIN TYPE	Cottered	Cottered	Cottered
TSUBAKI PART #	26880	27029	Call Us
TSUBAKI TITAN XL™ PART #	27028	27030	Call Us



958 CHAIN

6.000" PITCH
WORKHORSE® 5900 SERIES

Average Ultimate Strength: 206,000 lbs
Max Working Load: 17,000 lbs
Pitches Per Foot: 2.00

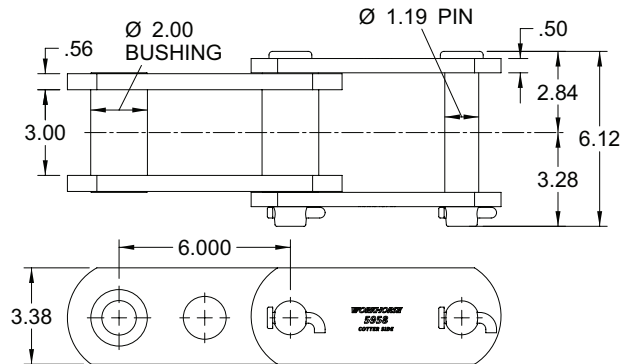
Upgrades Available:



958 CHAIN - PLAIN

Weight (lbs/ft): **23.25**

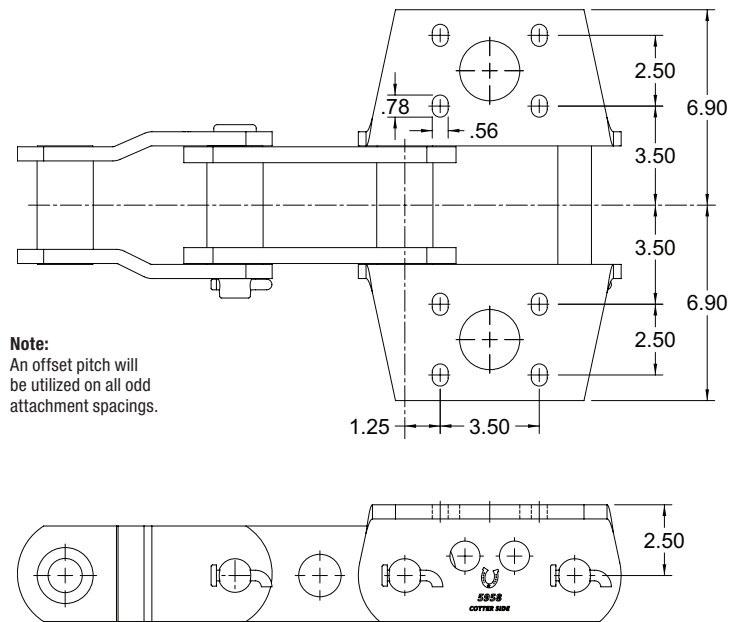
PLAIN CHAIN	
PIN TYPE	Cottered
TSUBAKI PART #	27046
TSUBAKI TITAN XL™ PART #	27047



958 CHAIN - K44 ATTACHMENTS

Weight 2L (lbs/ft): **32.00**

ATTACHMENT SPACING	2L	3L	OTHER
PIN TYPE	Cottered	Cottered	Cottered
TSUBAKI PART #	26884	27048	Call Us
TSUBAKI TITAN XL™ PART #	26885	27049	Call Us



859 CHAIN

6.000" PITCH
WORKHORSE® 5800 SERIES

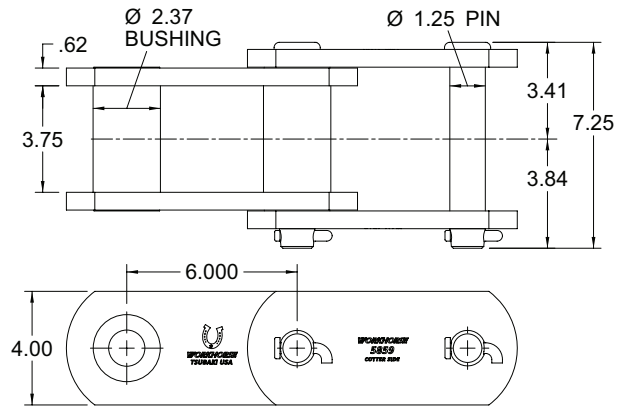
Average Ultimate Strength: 264,000 lbs
Max Working Load: 21,800 lbs
Pitches Per Foot: 2.00

Upgrades Available:



859 CHAIN - PLAIN

Weight (lbs/ft): **36.50**



PLAIN CHAIN

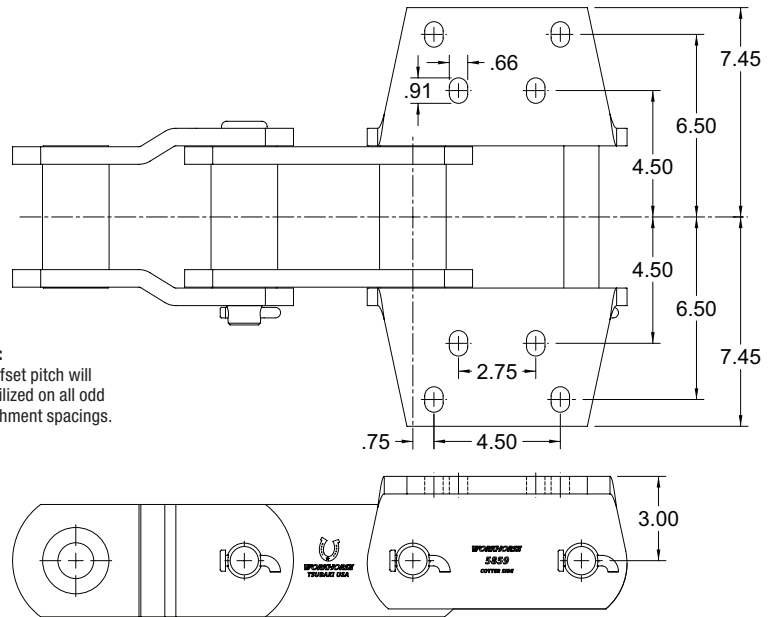
PIN TYPE: **Cottered**

TSUBAKI PART #: 27031

TSUBAKI TITAN XL™ PART #: 27032

859 CHAIN - K44 ATTACHMENTS

Weight 2L (lbs/ft): **48.00**



Note:
An offset pitch will be utilized on all odd attachment spacings.

ATTACHMENT SPACING	2L	3L	OTHER
--------------------	----	----	-------

PIN TYPE	Cottered	Cottered	Cottered
----------	----------	----------	----------

TSUBAKI PART #	26881	27034	Call Us
----------------	-------	-------	---------

TSUBAKI TITAN XL™ PART #	27033	27035	Call Us
--------------------------	-------	-------	---------

864 CHAIN

7.000" PITCH
WORKHORSE® 5800 SERIES

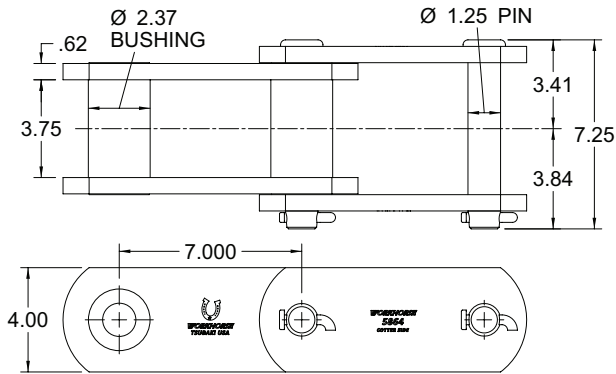
Average Ultimate Strength: 275,000 lbs
Max Working Load: 22,000 lbs
Pitches Per Foot: 1.71

Upgrades Available:



864 CHAIN - PLAIN

Weight (lbs/ft): **33.50**

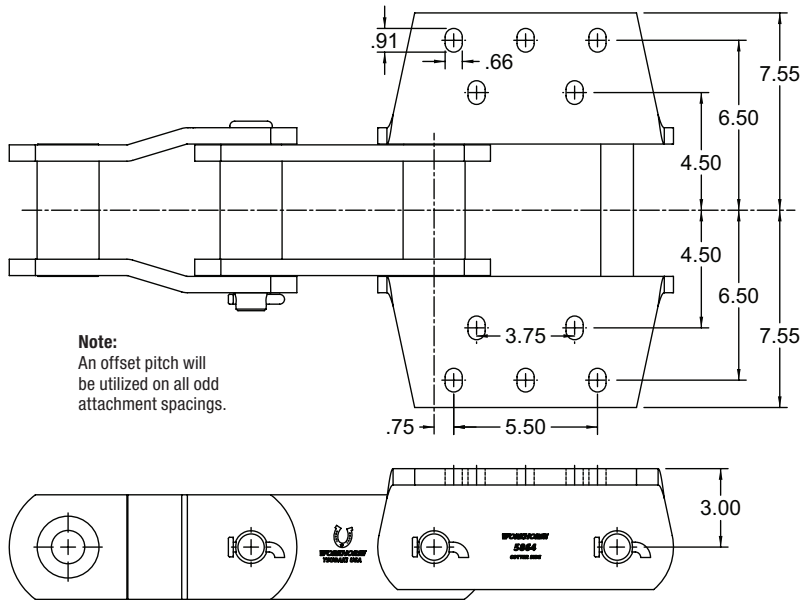


PLAIN CHAIN

PIN TYPE	Cottered
TSUBAKI PART #	27036
TSUBAKI TITAN XL™ PART #	27037

864 CHAIN - K443 ATTACHMENTS

Weight 2L (lbs/ft): **48.00**



Note:
An offset pitch will be utilized on all odd attachment spacings.

ATTACHMENT SPACING	2L	3L	OTHER
PIN TYPE	Cottered	Cottered	Cottered
TSUBAKI PART #	26882	27039	Call Us
TSUBAKI TITAN XL™ PART #	27038	27040	Call Us

984 CHAIN

7.000" PITCH
WORKHORSE® 5900 SERIES

Average Ultimate Strength: 285,000 lbs

Max Working Load: 24,000 lbs

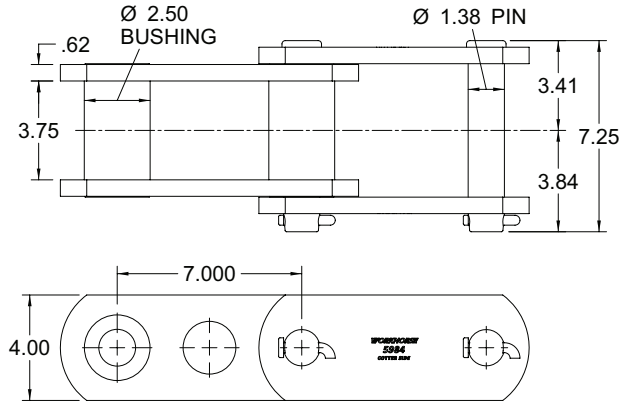
Pitches Per Foot: 1.71

Upgrades Available:



984 CHAIN - PLAIN

Weight (lbs/ft): **33.50**



PLAIN CHAIN

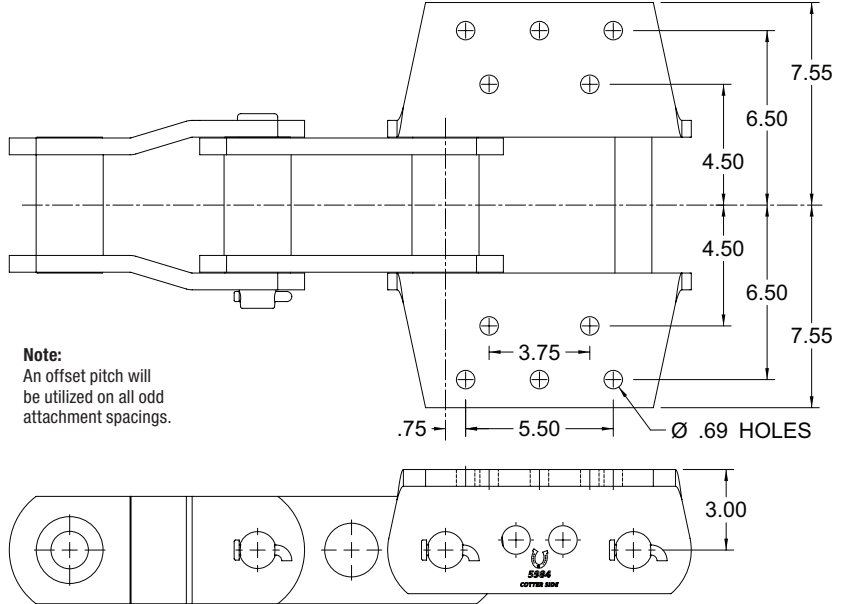
PIN TYPE: **Cottered**

TSUBAKI PART #: 27050

TSUBAKI TITAN XL™ PART #: 27051

984 CHAIN - K443 ATTACHMENTS

Weight 2L (lbs/ft): **44.80**



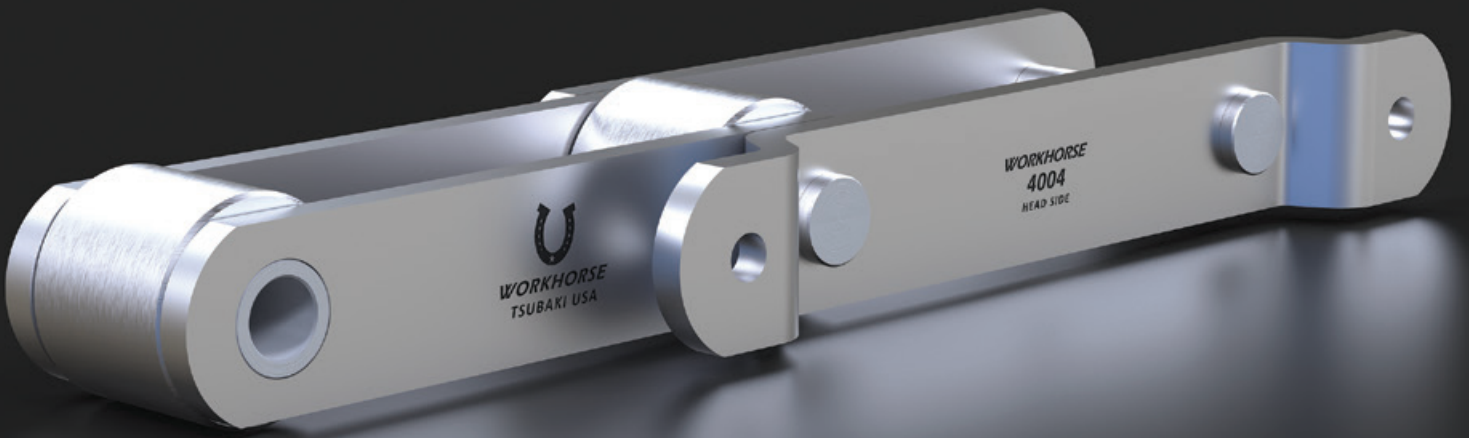
Note:
An offset pitch will be utilized on all odd attachment spacings.

ATTACHMENT SPACING: **2L** **3L** **OTHER**

PIN TYPE: **Cottered** **Cottered** **Cottered**

TSUBAKI PART #: 26887 27053 Call Us

TSUBAKI TITAN XL™ PART #: 27052 27054 Call Us



WORKHORSE® 4000

4004 CHAIN

9.000" PITCH
WORKHORSE® 4000 SERIES

Average Ultimate Strength: 121,000 lbs

Max Working Load: 12,700 lbs

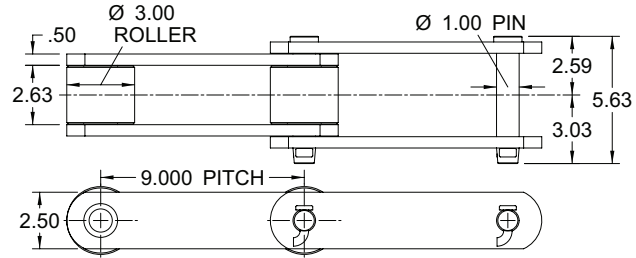
Pitches Per Foot: 1.33

Upgrades Available:



4004 CHAIN - PLAIN

Weight (lbs/ft): 18.05

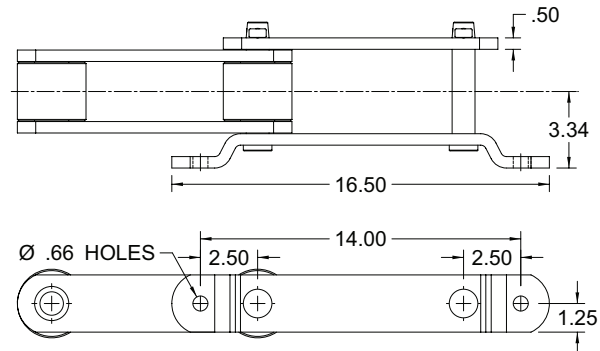


PLAIN CHAIN

PIN TYPE	Cottered	Riveted
TSUBAKI® PART #	27414	-

4004 CHAIN - G5 ATTACHMENT

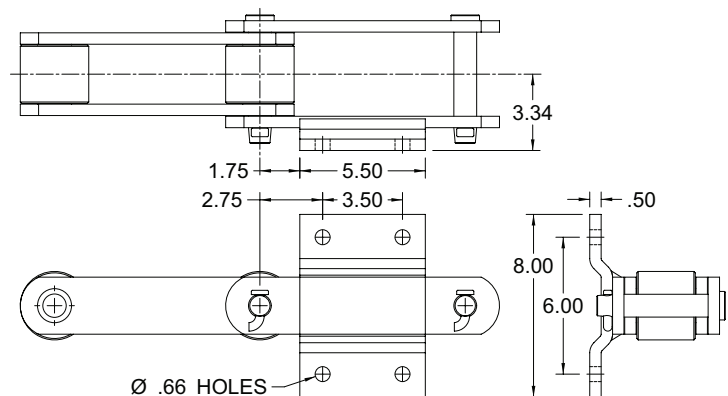
Weight 2L (lbs/ft): 19.30



ATTACHMENT SPACING	2L		OTHER	
	Cottered	Riveted	Cottered	Riveted
TSUBAKI® PART #	14192	-	Call Us	-

4004 CHAIN - G9 ATTACHMENT

Weight 2L (lbs/ft): 22.50



ATTACHMENT SPACING	2L		OTHER	
	Cottered	Riveted	Cottered	Riveted
TSUBAKI® PART #	25328	-	Call Us	-

Riveted Construction available upon request.

01.2020

4009 CHAIN

9.000" PITCH
WORKHORSE® 4000 SERIES

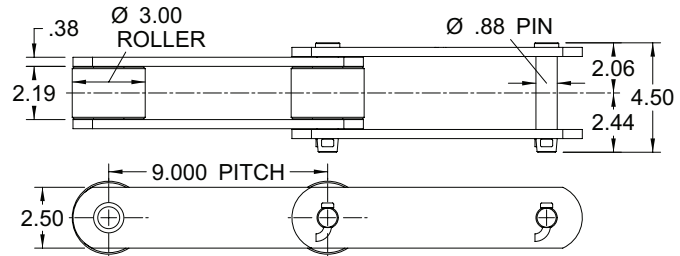
Average Ultimate Strength: 143,000 lbs
Max Working Load: 9,000 lbs
Pitches Per Foot: 1.33

Upgrades Available:



4009 CHAIN - PLAIN

Weight (lbs/ft): **13.98**

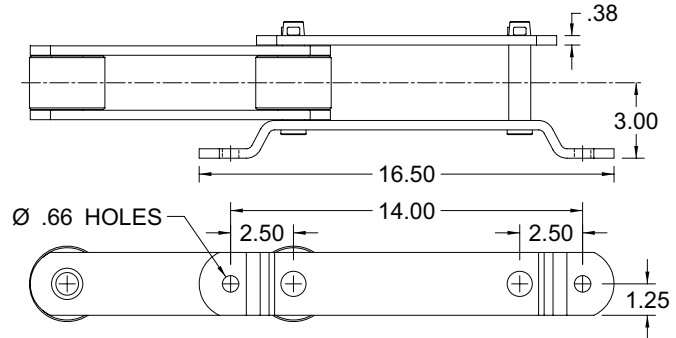


PLAIN CHAIN

PIN TYPE	Cottered	Riveted
TSUBAKI® PART #	27415	-

4009 CHAIN - G5 ATTACHMENT

Weight 2L (lbs/ft): **15.00**



ATTACHMENT SPACING	2L		OTHER	
	Cottered	Riveted	Cottered	Riveted
TSUBAKI® PART #	22653	-	Call Us	-

Riveted Construction available upon request.

Don't see what you need? Call us at 1-800-323-7790 and we will make it!

4035 CHAIN

9.000" PITCH
WORKHORSE® 4000 SERIES

Average Ultimate Strength: 131,700 lbs

Max Working Load: 16,500 lbs

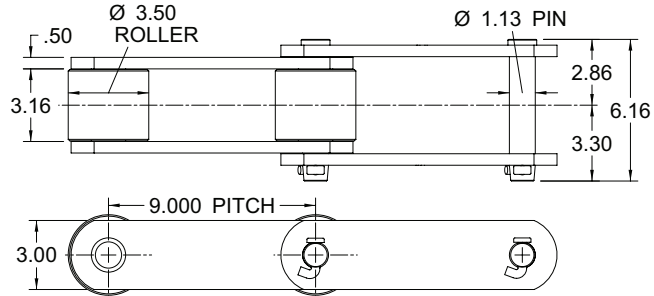
Pitches Per Foot: 1.33

Upgrades Available:



4035 CHAIN - PLAIN

Weight (lbs/ft): **24.83**

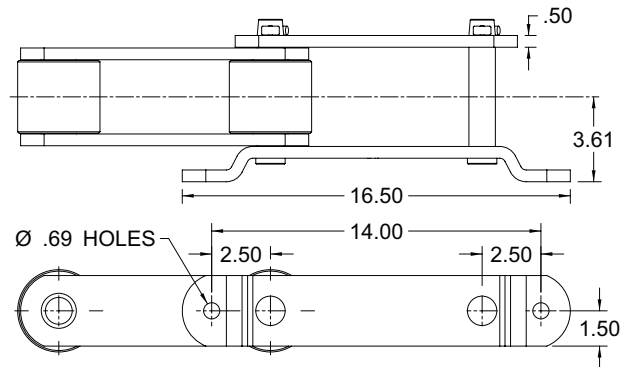


PLAIN CHAIN

PIN TYPE	Cottered	Riveted
TSUBAKI® PART #	27416	-

4035 CHAIN - G5 ATTACHMENT

Weight 2L (lbs/ft): **26.32**



ATTACHMENT SPACING	2L		OTHER	
	Cottered	Riveted	Cottered	Riveted
TSUBAKI® PART #	27417	-	Call Us	-

Riveted Construction available upon request.

4037 CHAIN

9.000" PITCH
WORKHORSE® 4000 SERIES

Average Ultimate Strength: 340,000 lbs

Max Working Load: 23,600 lbs

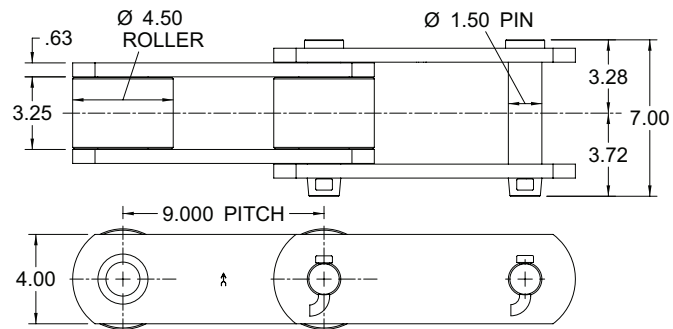
Pitches Per Foot: 1.33

Upgrades Available:



4037 CHAIN - PLAIN

Weight (lbs/ft): **44.36**

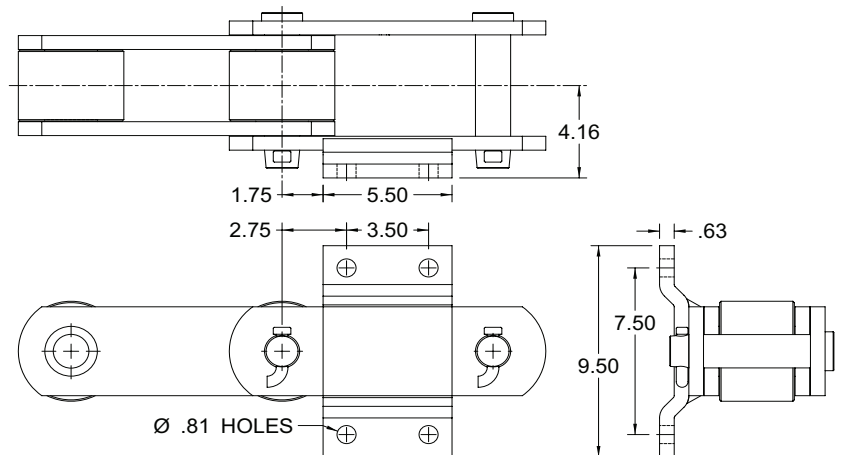
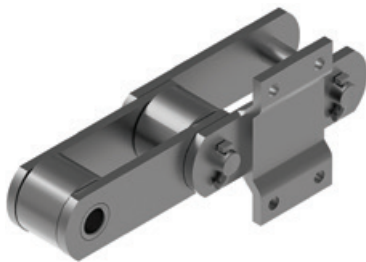


PLAIN CHAIN

PIN TYPE	Cottered	Riveted
TSUBAKI® PART #	27418	-

4037 CHAIN - G9 ATTACHMENT

Weight 2L (lbs/ft): **51.00**



ATTACHMENT SPACING	2L		OTHER	
	Cottered	Riveted	Cottered	Riveted
TSUBAKI® PART #	25329	-	Call Us	-

Riveted Construction available upon request.

Don't see what you need? Call us at 1-800-323-7790 and we will make it!

4065 CHAIN

9.000" PITCH
WORKHORSE® 4000 SERIES

Average Ultimate Strength: 226,000 lbs

Max Working Load: 18,900 lbs

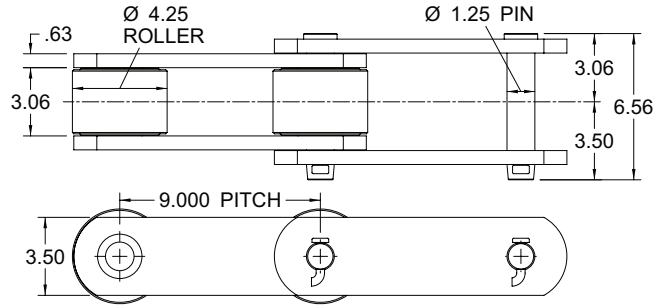
Pitches Per Foot: 1.33

Upgrades Available:



4065 CHAIN - PLAIN

Weight (lbs/ft): **37.00**

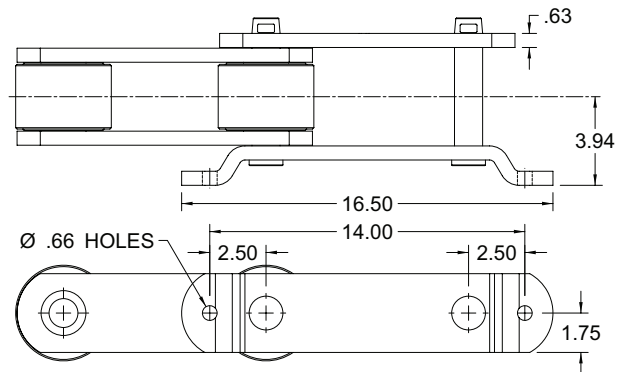


PLAIN CHAIN

PIN TYPE	Cottered	Riveted
TSUBAKI® PART #	23440	-

4065 CHAIN - G5 ATTACHMENT

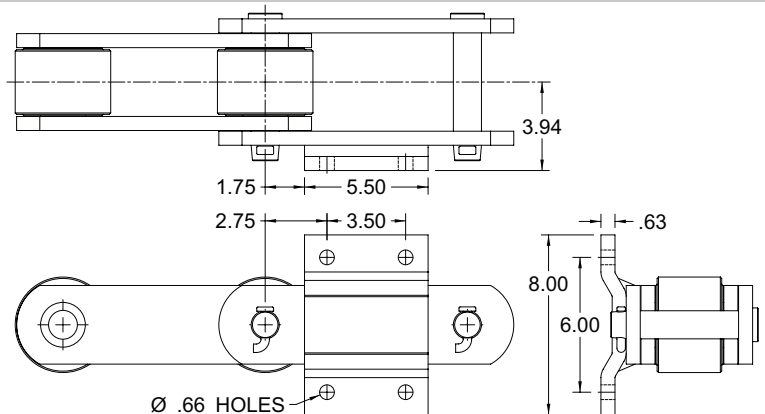
Weight 2L (lbs/ft): **38.80**



ATTACHMENT SPACING	2L		OTHER	
PIN TYPE	Cottered	Riveted	Cottered	Riveted
TSUBAKI® PART #	18818	-	Call Us	-

4065 CHAIN - G9 ATTACHMENT

Weight 2L (lbs/ft): **42.50**



ATTACHMENT SPACING	2L		OTHER	
PIN TYPE	Cottered	Riveted	Cottered	Riveted
TSUBAKI® PART #	18866	-	Call Us	-

Riveted Construction available upon request.

4251 CHAIN

12.000" PITCH
WORKHORSE® 4000 SERIES

Average Ultimate Strength: 61,200 lbs
Max Working Load: 8,750 lbs
Pitches Per Foot: 1.00

Upgrades Available:



4251 CHAIN - PLAIN		Weight (lbs/ft): 9.80
PLAIN CHAIN		
PIN TYPE	Cottered	Riveted
TSUBAKI® PART #	27419	-

4251 CHAIN - G-117 ATTACHMENT		Weight 1L (lbs/ft): 9.30		
ATTACHMENT SPACING	1L		OTHER	
PIN TYPE	Cottered	Riveted	Cottered	Riveted
TSUBAKI® PART #	27420	-	Call Us	-

4251 CHAIN - G-118 ATTACHMENT		Weight 1L (lbs/ft): 9.00		
ATTACHMENT SPACING	1L		OTHER	
PIN TYPE	Cottered	Riveted	Cottered	Riveted
TSUBAKI® PART #	27421	-	Call Us	-

Riveted Construction available upon request.

Don't see what you need? Call us at 1-800-323-7790 and we will make it!

4265 CHAIN

12.000" PITCH
WORKHORSE® 4000 SERIES

Average Ultimate Strength: 75,500 lbs

Max Working Load: 9,200 lbs

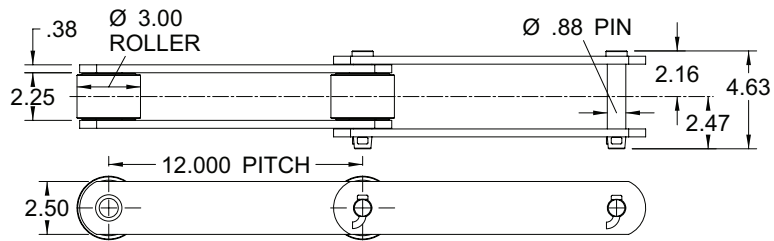
Pitches Per Foot: 1.00

Upgrades Available:



4265 CHAIN - PLAIN

Weight 1L (lbs/ft): **12.10**

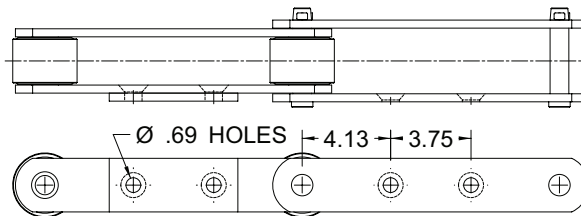


PLAIN CHAIN

PIN TYPE	Cottered	Riveted
TSUBAKI® PART #	27422	-

4265 CHAIN - G6 ATTACHMENT

Weight 1L (lbs/ft): **12.00**



ATTACHMENT SPACING	1L		2L		OTHER	
	Cottered	Riveted	Cottered	Riveted	Cottered	Riveted
TSUBAKI® PART #	27423	-	27424	-	Call Us	-

Riveted Construction available upon request.

Buckets & Bucket Assemblies

PREMIUM TSUBAKI® BUCKETS

- Tsubaki maintains a market leading portfolio of cast, fabricated and polymeric buckets
- Standard and full custom designs available to fit virtually any OEM system.
- Metallic buckets typically produced in Carbon Steel, Stainless Steel, AR or Ductile Iron
- Polymer buckets are available in Nylon, Urethane, Polyethylene or FDA Nylon
- Full design and engineering resources are available to assist with proper selection, issue resolution and potential optimization/enhancement.

TSUBAKI® CHAIN AND BUCKET ASSEMBLIES

- Tsubaki will securely fasten buckets to the chain at the factory to assure proper fit and in turn save installation time and money in the field.
- Assemblies typically ship in 10 foot, palletized strands, but custom options/packageing available upon request.



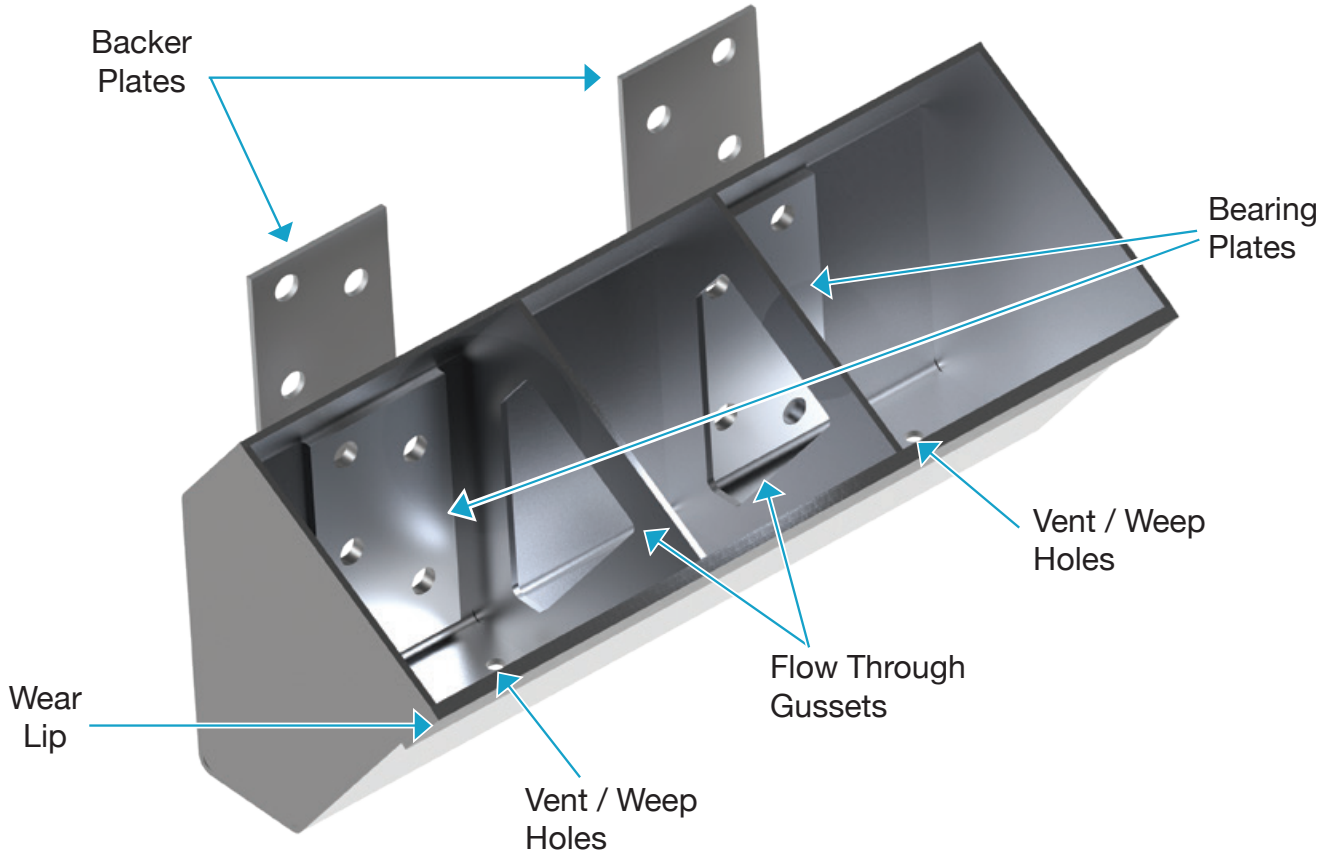
TYPICAL APPLICATIONS

- Bucket Elevators
- Incline Elevators/Conveyors

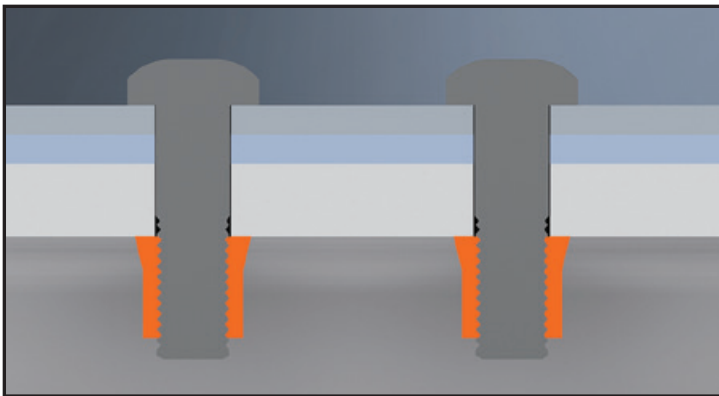
COMMON INDUSTRIES



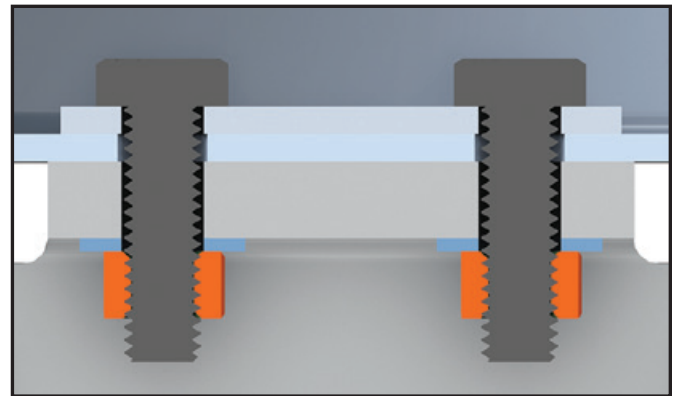
Basic Anatomy / Upgraded Options



Bucket Fastening Options

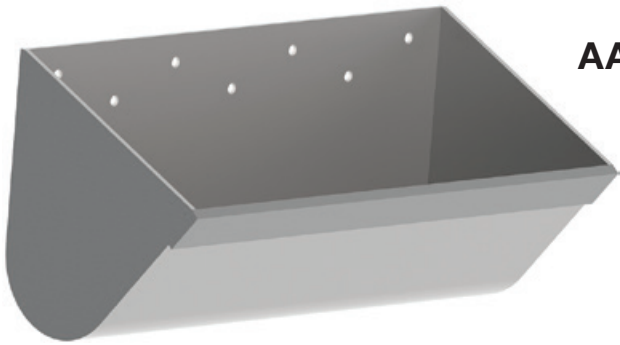


Huck Hardware Configuration

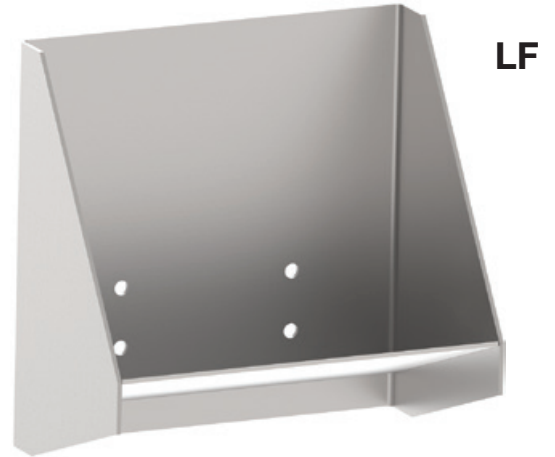


Standard Hardware Configuration

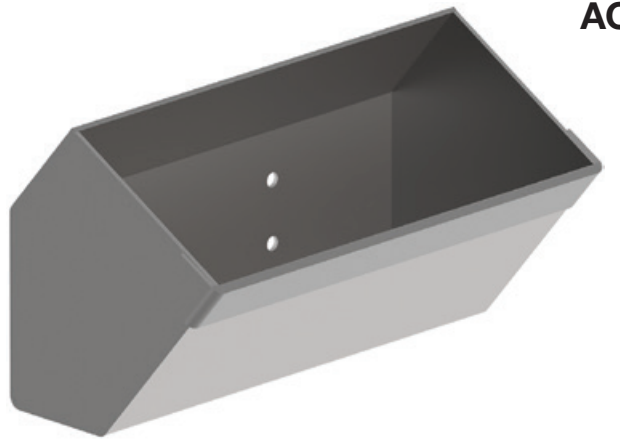
Standard Bucket Designs



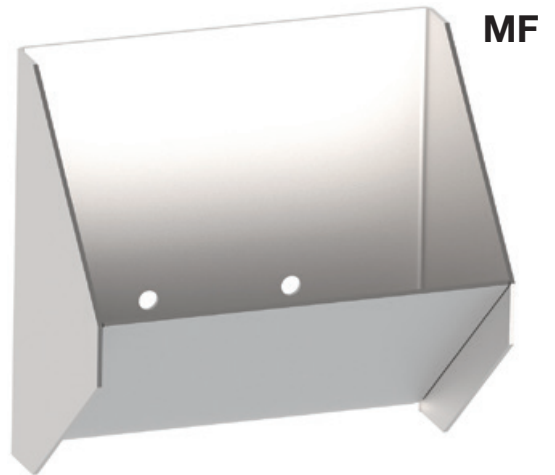
AA



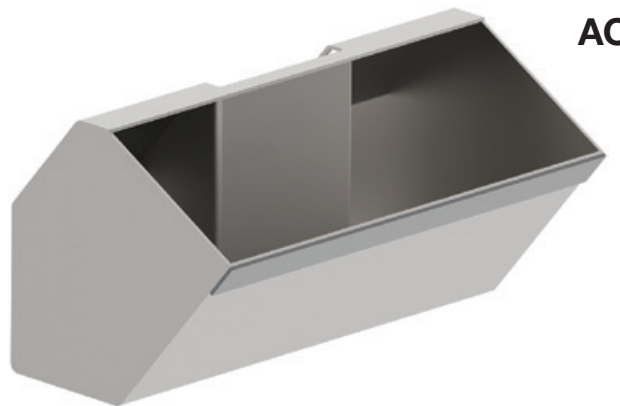
LF



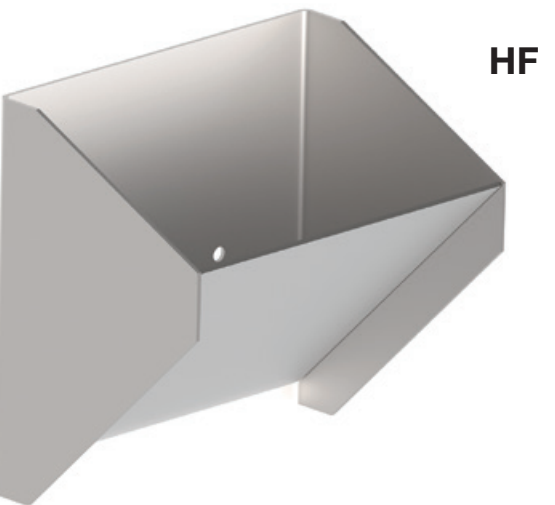
AC



MF



ACS



HF



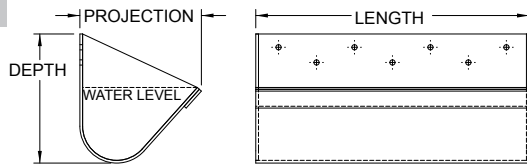
SC



BUCKET STYLE

BUCKET DETAILS

AA

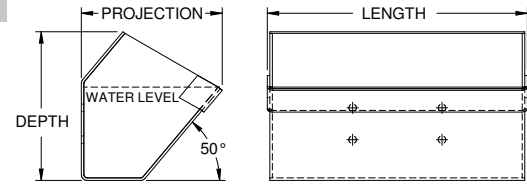


MOUNTING HOLES & VENTING TO YOUR SPECIFICATION

- Employed in tough and abrasive Centrifugal-Discharge Systems/ Applications.
- Integral Wear Lip design for enhanced wear performance.
- Most commonly supplied in Ductile Iron or a Polymeric.

- Polymeric designs allow for lighter chain loading and cleaner discharge.

AC

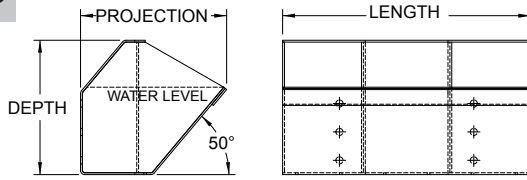


MOUNTING HOLES & VENTING TO YOUR SPECIFICATION

- High front/hooded back for maximum capacity and close spacing.
- Common in Centrifugal-Discharge Systems.
- Often utilized in Cement, Fertilizer and Industrial Minerals.

- Bearing Plates, Backing Plates.
- Carbon steel construction. Stainless steel and aluminum construction available.

ACS

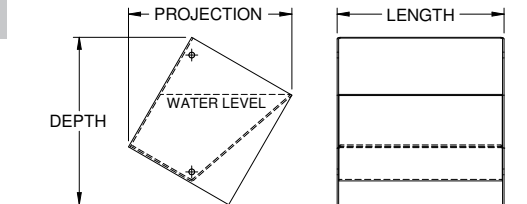


MOUNTING HOLES & VENTING TO YOUR SPECIFICATION

- Classic saddle bag design.
- Utilized in Centrifugal-Discharge Systems to minimize projection and optimize capacity.
- High front/hooded back for maximum capacity and close spacing.
- Bearing plates and center braces are typically standard.

- Often utilized in Finish Cement, Fertilizer and Free-Flowing Minerals.
- Carbon steel construction. Stainless steel and aluminum construction available.
- Common options: AR Plate Construction, Wear Lips, Hardfacing, Vent Holes.

SC

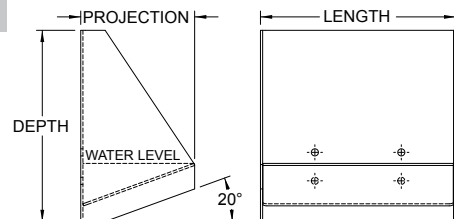


MOUNTING HOLES & VENTING TO YOUR SPECIFICATION

- Utilized in Dual-Strand Gravity-Discharge systems.
- Engineered for super capacity. elevators moving heavy materials.
- Capable of carrying larger lumps/ chunks of product.
- Most often utilized in the Cement and Aggregate segments.

- Carbon steel construction. Stainless steel and aluminum construction available.
- Common options: AR Plate Construction, Wear Lips, Hardfacing, Vent Holes, Center Braces, Bearing Plates, Backing Plates.

LF

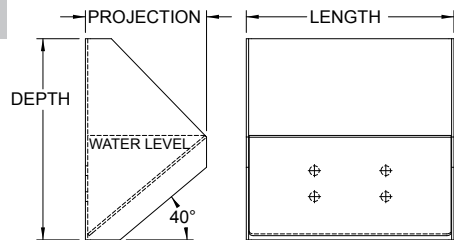


MOUNTING HOLES & VENTING TO YOUR SPECIFICATION

- Typically mounted on inclined elevators or conveyors.
- Effective with wet or dry materials.
- Most often utilized in the Cement and Aggregate segments.
- Carbon steel construction. Stainless steel and aluminum construction available.

- Common options: AR Plate Construction, Wear Lips, Hardfacing, Vent Holes, Center Braces, Bearing Plates, Backing Plates.

MF

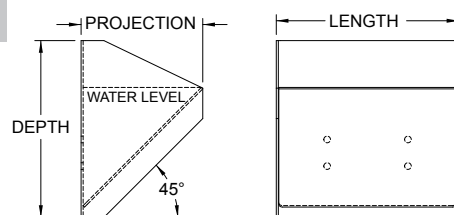


MOUNTING HOLES & VENTING TO YOUR SPECIFICATION

- Utilized in gravity-discharge systems in Cement, Fertilizer and Industrial Minerals.
- Carbon steel construction. Stainless steel and aluminum construction available.

- Common Options: AR Plate Construction, Wear Lips, Hardfacing, Vent Holes, Center Braces, Bearing Plates, Backing Plates.

HF



MOUNTING HOLES & VENTING TO YOUR SPECIFICATION

- High Front panel to boost capacity and efficiency in gravity-discharge systems.
- Designed to mitigate damage to material being transferred.
- Often utilized in Cement, Fertilizer and Industrial Minerals.

- Carbon steel construction. Stainless steel and aluminum construction available.
- Common Options: AR Plate Construction, Wear Lips, Hardfacing, Vent Holes, Center Braces, Bearing Plates, Backing Plates.

Sprockets & Traction Wheels

WORKHORSE® TRACTION WHEELS

Part Number	Chain Number	Diameter	Number of Segments	Hub Body Number	Bolts	Plate Thickness
WKT-56/57/58-26-20	856, 857, 956, 958	26	3	20	24	2.75
WKT-56/57/58-30-20	856, 857, 956, 958	30	3	20	24	2.75
WKT-56/57/58-36-30	856, 857, 956, 958	36	6	30	24	2.75
WKT-56/57/58-42-35	856, 857, 956, 958	42	6	35	24	2.75
WKT-59-26-20	859	26	3	20	24	3.44
WKT-59/64/84-30-20	859, 864, 984	30	4	20	24	3.44
WKT-59/64/84-36-30	859, 864, 984	36	6	30	24	3.44
WKT-59/64/84-42-35	859, 864, 984	42	6	35	24	3.44
WKT-59/64/84-49-35	859, 864, 984	49	6	35	24	3.44

WORKHORSE® SPROCKETS

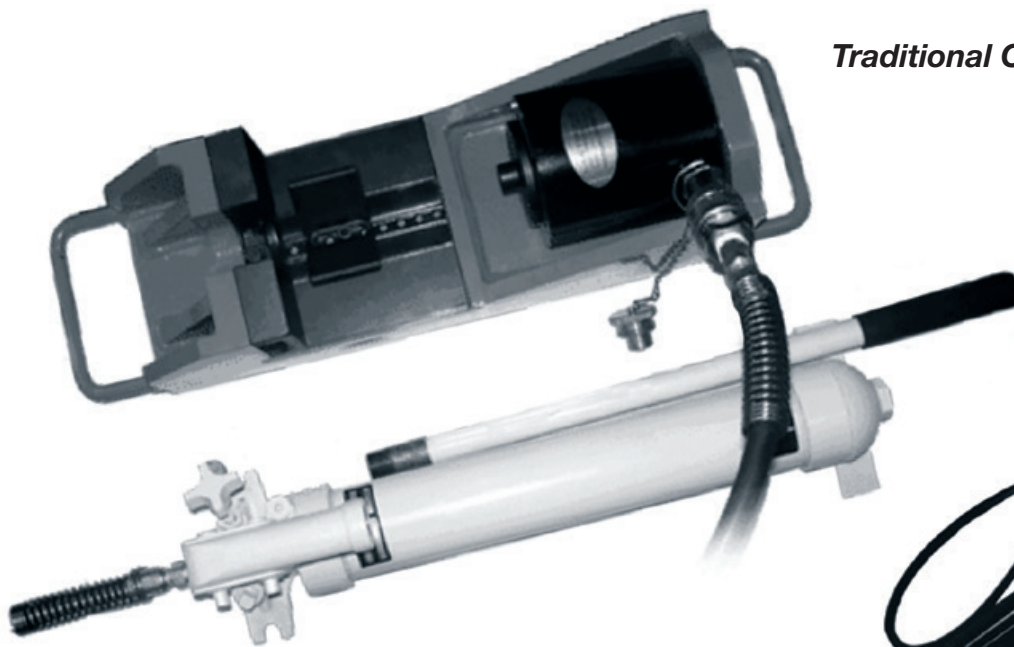
Part Number	Chain Number	Number of Teeth	Number of Segments	Hub Body Number	Bolts	Plate Thickness
WKSP-56/57-13-16	856, 857, 956	13	3	16	12	2.75
WKSP-56/57-15-16	856, 857, 956	15	3	16	12	2.75
WKSP-56/57-15-20	856, 857, 956	15	3	20	24	2.75
WKSP-56/57-17-25	856, 857, 956	17	3	25	24	2.75
WKSP-56/57-19-25	856, 857, 956	19	3	25	24	2.75
WKSP-58-15-20	958	15	3	20	24	2.75
WKSP-59-13-16	859	13	3	16	12	3.44
WKSP-59-15-20	859	15	3	20	24	3.44
WKSP-64-13-16	864	13	3	16	24	3.44
WKSP-64-15-25	864	15	3	25	24	3.44
WKSP-64-19-25	864	19	3	25	24	3.44
WKSP-84-13-16	984	13	3	16	12	3.44
WKSP-84-15-25	984	15	3	25	24	3.44
WKSP-84-19-25	984	19	3	25	24	3.44



Assembly/Disassembly Tools

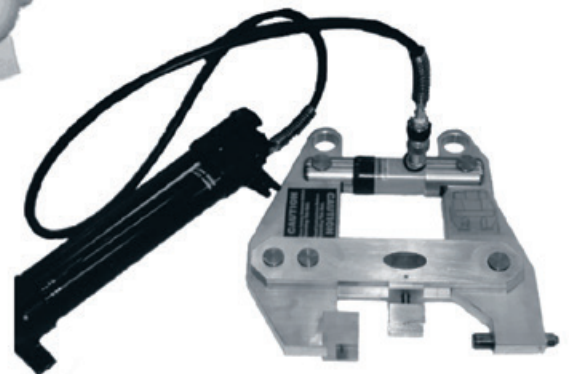
CUSTOM CHAIN ASSEMBLY & DISASSEMBLY TOOLS FROM TSUBAKI®

- High interference press fits are absolutely critical to WORKHORSE® chain performance and longevity.
- Tsubaki assembly/disassembly tools allow for quick, effective and safe field management of high interference press fits.
- Most units are tailored to a specific chain design or need, but standard more universal models are also readily available.
- All units are relatively ergonomic, easy to use and designed to withstand harsh industrial use/environments.
- Please contact us for assistance with tool sizing, selection and availability.



Traditional Cradle Style

*Lightweight Aluminum
Clamp Style*



BS-F Series Backstops

Tsubaki's new BS-F Series backstops are designed for simple, drop-in installation to all major competitive backstop products. These backstops use a unique seal design for maximum life with minimal maintenance. With Tsubaki's innovative design features, our backstops ensure efficient and dependable operation in the harshest environments.

TYPICAL APPLICATIONS

- Mining (Coal, Copper, Potash) - used in inclined conveyors and bucket elevators for transporting raw materials.
- Power Generating Plants that rely on inclined conveyors to transfer coal from the stockpile to the boiler rooms.
- Cement Plants - used in bucket elevators and inclined conveyors for moving limestone and clay to crushers and silos.

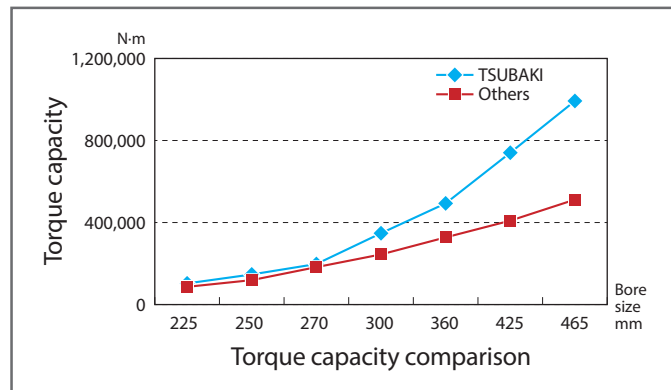
COMMON INDUSTRIES



INNOVATIVE FEATURES:

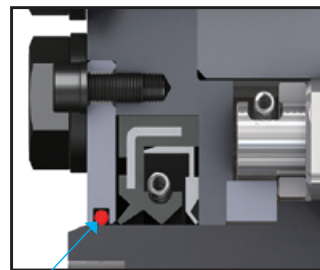
NON-ROLLOVER CAM

- Provides higher torque ratings than the leading competitors due to the larger profile and greater contact area.
- Improves performance and prevents costly and potentially dangerous rollover.

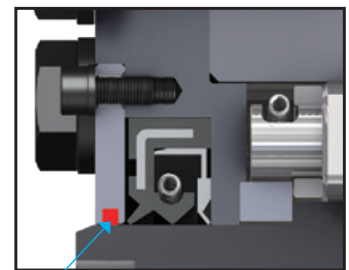


SPECIAL LABYRINTH SEAL

- New seal design prevents the ingress of dust and other contaminants typically found in mining and cement plants, which extends the life of the lubricant.
- Minimizes heat generation and provides trouble-free service with minimal scheduled maintenance.



Flexible Labyrinth



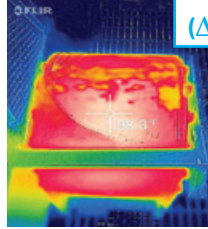
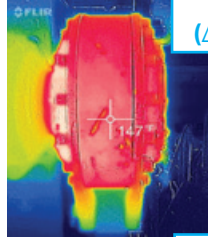
Grease Only



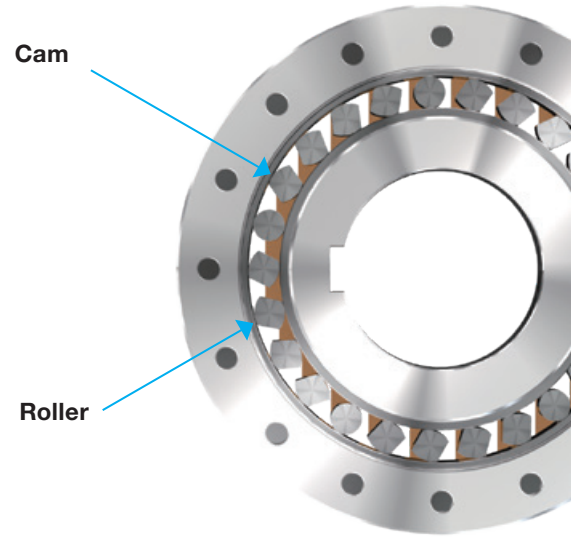
GREASE LUBRICATION

- Offers synthetic grease lubrication in a sealed backstop design.
- Breather element is eliminated.
- No need to monitor oil levels, refill the backstop or worry about moisture in the lubricant.
- Provides maintenance-free and trouble-free performance.

AMBIENT TEMPERATURE 60°F

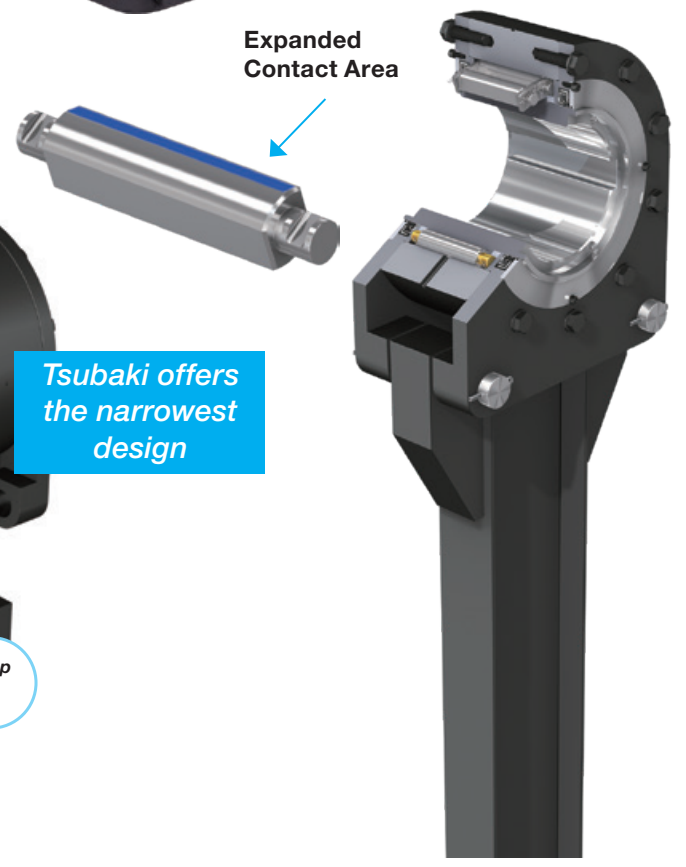


COOLER
RUNNING
PERFORMANCE



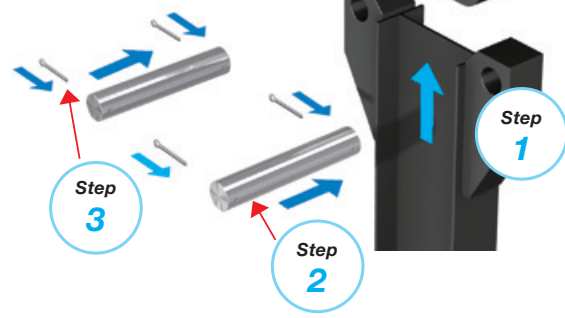
DROP IN DESIGN

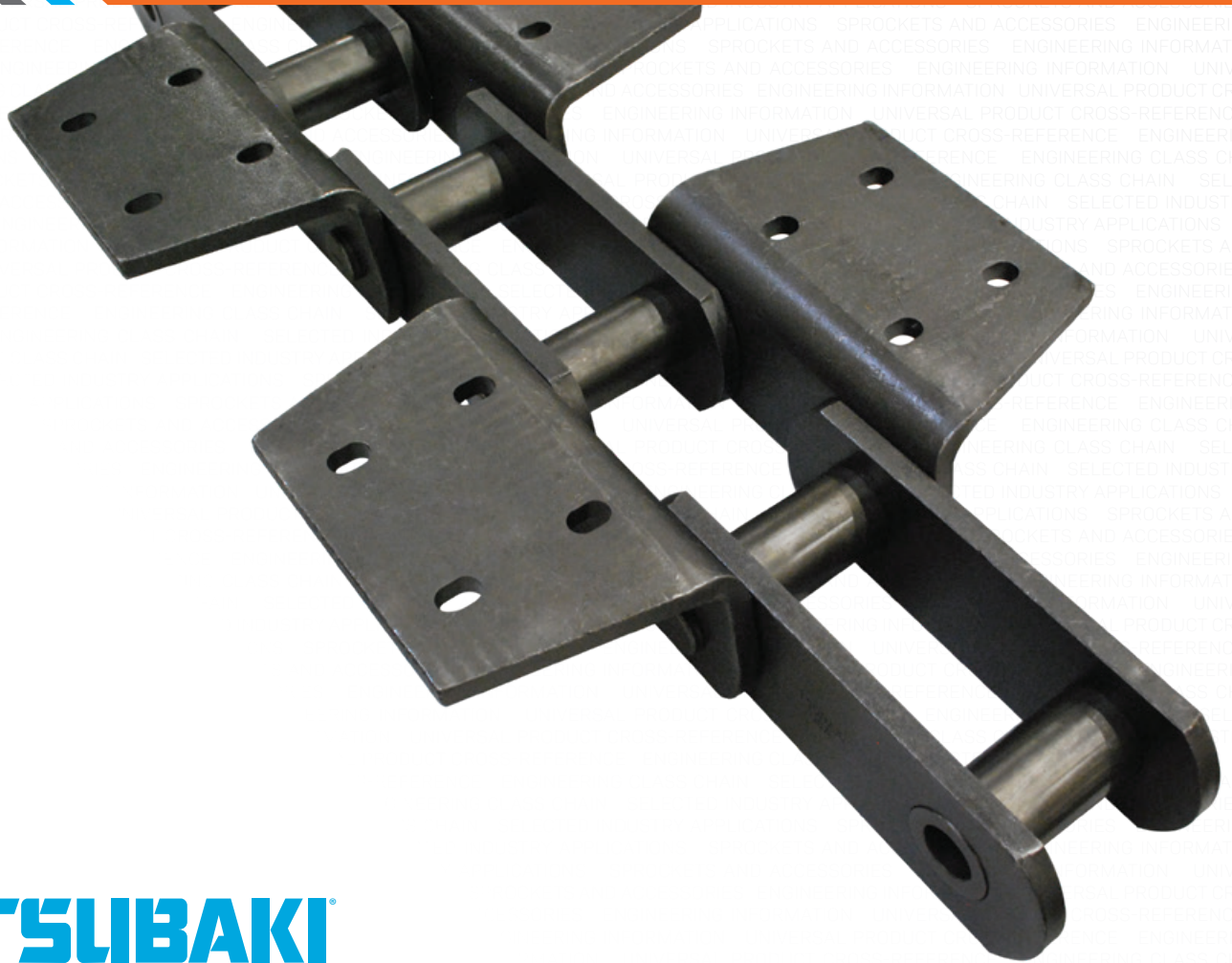
- Tsubaki offers the narrowest backstop with an I-beam torque arm.
- Quick and easy field replacement. Drop in compatible with most competitive products.



3 STEP EASY CONNECTION

- Step 1:** Insert I-beam torque arm into clutch
- Step 2:** Insert lock pins through flange plate and secure torque arm
- Step 3:** Insert retaining pins into lock pins





LEADING THE MOVEMENT



Corporate Headquarters
U.S. Tsubaki Power Transmission, LLC
301 E. Marquardt Drive
Wheeling, IL 60090
Tel: 800.323.7790



Roller Chain Division
821 Main St.
Holyoke, MA 01040
Tel: 800.323.7790



**Conveyor & Construction
Chain Division**
1010 Edgewater Drive
Sandusky, OH 44870
Tel: 800.537.6140



Sprocket Manufacturing
1630 Drew Road
Mississauga, ON L5S 1J6
Tel: 800.323.7790



**Cable & Hose
Carrier Division**
7100 W. Marcia Road
Milwaukee, WI 53223
Tel: 800.443.4216

Note: In accordance with the policy of U.S. Tsubaki Power Transmission, LLC to consistently improve its products, the specifications in this brochure are subject to change without notice. The logos, brand names or product names in this brochure are trademarks or registered trademarks of Tsubakimoto Chain Co. and its subsidiaries in Japan, the U.S. and other countries.

©2020 U.S. Tsubaki Power Transmission, LLC.
All Rights Reserved. Printed in U.S.A.
01/20 Rev. 0 L13026